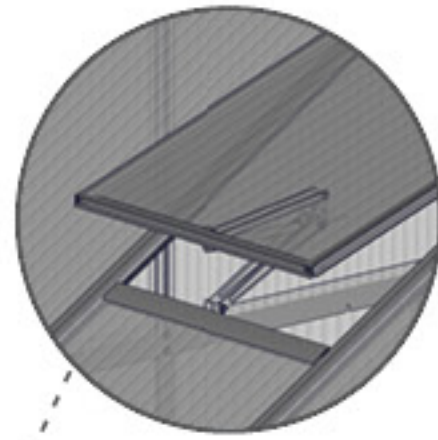
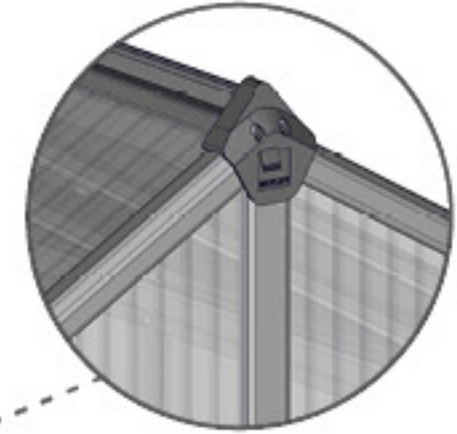




Side Louver Window
increases airflow



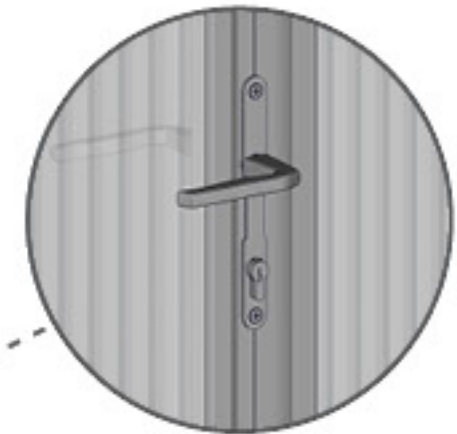
Automatic Vent Opener
creates climate control
and heat relief



Strong and robust
Aluminum frame



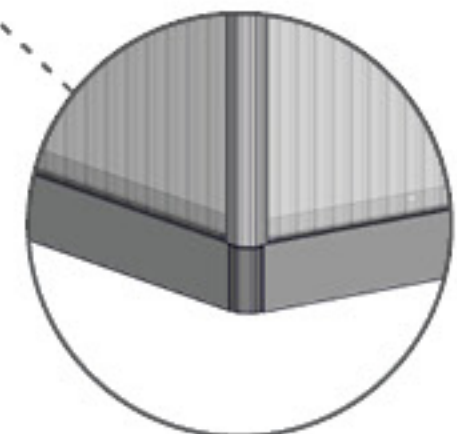
Universal (32 mm)
drainage pipe
connection



Door locking system



Integral ground
anchoring system



Galvanized Steel base

