



MAXX ICE

SERVICE, INSTALLATION, AND INSTRUCTION MANUAL
MANUEL D'UTILISATION, D'INSTALLATION ET D'ENTRETIEN
MANUAL DE SERVICIO, INSTALACIÓN E INSTRUCCIONES



MIM250

AUTOMATIC COMMERCIAL ICE CUBE MACHINE

PLEASE READ CAREFULLY

MACHINE À GLAÇONS COMMERCIALE

VEUILLEZ LIRE ATTENTIVEMENT

MÁQUINA DE CUBOS DE HIELO AUTOMÁTICA COMERCIAL

LEA ATENTAMENTE



MAXX ICE



CONTENTS

ICE MAKER SAFETY	2
IMPORTANT SAFEGUARDS	3-4
TECHNICAL INFORMATION	4
COMPONENT LOCATIONS	5
ICE MAKER INSTALLATION	6-10
Unpacking	6
Installing the Adjustable Feet	6
Installing the Stability Brackets	7
Location Requirements	7-8
Electrical Requirements	8
Leveling the Ice Maker	9
Water Supply	9
Installation Types	10
OPERATION	11-12
Final Checklist before Operation	11
Operating Method	11
How the Machine Makes Ice	12
Normal Sounds	12
Preparing the Ice Maker for Long Storage	12
CLEANING AND MAINTENANCE	13-15
Exterior Cleaning	13
Interior Cleaning	13-14
Water Distribution Tube Cleaning	14
Ice-Making System Cleaning	14
Sanitizing the Ice-Making System	15
CONTROL PANEL	15-16
TROUBLESHOOTING	16
TROUBLESHOOTING GUIDE	17
NOTES	18
FRENCH	19-36
SPANISH	37-54

We reserve the right to make changes in specifications and design without prior notice.

Be sure the ice machine has been standing upright.

ICE MAKER SAFETY

We have provided many important safety messages in this manual and on your appliance. Always read and obey all safety messages.



This is the Safety Alert Symbol. This symbol alerts you to potential hazards that can injure or kill you and others. All safety messages will follow the Safety Alert Symbol and either the words "DANGER", "WARNING" OR "CAUTION".

⚠ DANGER ⚠

DANGER means that failure to heed this safety statement may result in death or severe personal injury.

⚠ WARNING

WARNING means that failure to heed this safety statement may result in extensive product damage, serious personal injury, or death.

CAUTION

CAUTION means that failure to heed this safety statement may result in minor or moderate personal injury, or property or equipment damage.

All safety messages will alert you to what the potential hazard is, tell you how to reduce the chance of injury, and let you know what can happen if the instructions are not followed.

NOTE: IMPORTANT SAFETY INSTRUCTIONS

WARNING: To reduce the risk of fire, electric shock or injury, when using your ice maker, follow these basic precautions:

- Plug into grounded 3-prong outlet
- Do not remove grounding prong
- Do not use an adapter
- Do not use an extension cord
- Disconnect power before cleaning
- Disconnect power before servicing
- Replace all panels before operating
- Use 2 or more people to move and install ice maker

SAVE THESE INSTRUCTIONS



MAXX ICE

IMPORTANT SAFEGUARDS



Before the ice maker is used, it must be properly positioned and installed as described in this manual, so read the manual carefully. We strongly recommend that you have a professional install your new machine. The warranty may be affected or voided by an incorrect installation. To reduce the risk of fire, electrical shock or injury when using the ice maker, follow basic precautions, including the following:

⚠ DANGER ⚠

- Plug into a grounded 3-prong outlet. Do not remove grounding prong, do not use an adapter, and do not use an extension cord.
- It is recommended that a separate circuit, serving only your ice maker, be provided. Use receptacles that cannot be turned off by a switch or pull chain.
- Do not connect or disconnect the electric plug when your hands are wet.
- Never unplug the ice maker by pulling on the power cord. Always grip the plug firmly and pull straight out from the outlet.
- Never clean ice maker parts with flammable fluids. Do not store or use gasoline or other flammable vapors and liquids in the vicinity of this or any other appliance. The fumes can create a fire hazard or explosion.
- Before proceeding with cleaning and maintenance operations, make sure the power line of the unit is disconnected and the water line is shut off. (EXCEPTION: When cleaning the machine's ice making and water systems)
- Before operating, put all the enclosure panels back into their original places.
- Do not touch the evaporator with your hand when the machine is operating.
- Unplug the ice maker or disconnect power before cleaning or servicing. Failure to do so can result in electrical shock or death.
- Do not attempt to repair or replace any part of your ice maker unless it is specifically recommended in this manual. A qualified technician should do all other servicing.

⚠ WARNING

- Use two or more people to move and install ice maker. Failure to do so can result in back or other injury.
- To ensure proper ventilation for your ice maker, the front of the unit must be completely unobstructed. Choose a well-ventilated area with temperatures above 50°F (10°C) and below 100°F (38°C). This unit **MUST** be installed in an area protected from the elements, such as wind, rain, water spray or drips.
- The ice maker should not be located next to ovens, grills or other sources of high heat.
- The ice maker must be installed with all electrical and water connections in accordance with state and local codes. A standard electrical supply (220-240 VAC, 50 Hz, 15 A), properly grounded in accordance with the National Electrical Code and local codes and ordinances, is required.
- Do not kink or pinch power supply cord or drain lines between ice maker and cabinet.
- The fuse (or circuit breaker) size should be 15 amperes.
- It is important for the ice maker to be leveled in order to work properly. You may need to make several adjustments to level it.
- All installations must be in accordance with local plumbing code requirements.
- Make certain that the hoses are not pinched or kinked or damaged during installation.
- Check for leaks after connection.
- Remove the packing materials and clean the ice maker before using.
- Turn on the water supply tap before switching on the ice maker. Never turn the water supply tap off when the ice maker is working.

- Except to take ice from the unit, keep the door closed in order to reduce ice melting and to promote proper ice formation.
- Although the unit has been tested at the factory, due to long-term transit and storage, the first batch of cubes must be discarded.
- If the ice maker will not be used for a long time, before the next use it must be thoroughly cleaned. Follow carefully any instructions provided for cleaning or use of sanitizing solution. Do not leave any solution inside the ice maker after cleaning.
- DO NOT touch the condenser fins. The condenser fins are sharp and can be easily damaged.
- DO NOT use solvent-based cleaning agents or abrasives on the interior. These cleaners may transmit taste to the ice cubes, or damage or discolor the interior.
- The ice machine cleaner contains acids. DO NOT use or mix with any other solvent-based cleaner products. Use rubber gloves to protect hands. Carefully read the material safety instructions on the container of the ice machine cleaner.
- Do not use this apparatus for other than its intended purpose.

SAVE THESE INSTRUCTIONS

Electrical Connection

Do not, under any circumstances, cut or remove the third (ground) prong from the power cord. For personal safety, this appliance must be properly grounded. The power cord of this appliance is equipped with a 3-prong grounding plug that mates with a standard 3-prong grounding wall outlet to minimize the possibility of electric shock hazard from the appliance. Have the wall outlet and circuit checked by a qualified electrician to make sure the outlet is properly grounded. When a standard 2-prong wall outlet is encountered, it is your responsibility and obligation to have it replaced with a properly grounded 3-prong wall outlet.

The ice maker should always be plugged into its own individual electrical outlet which has a voltage rating that matches the rating label on the appliance. This provides the best performance and also prevents overloading house wiring circuits which could cause a fire hazard from overheated wires. Never unplug your ice maker by pulling on the power cord. Always grip the plug firmly and pull straight out from the outlet. Repair or replace immediately all power cords that have become frayed or otherwise damaged. Do not use a cord that shows cracks or abrasion damage along its length or at either end. When moving the ice maker, be careful not to damage the power cord.

Extension Cord

Because of potential safety hazards under certain conditions, it is strongly recommended that you do not use an extension cord with this ice maker.

Technical Information

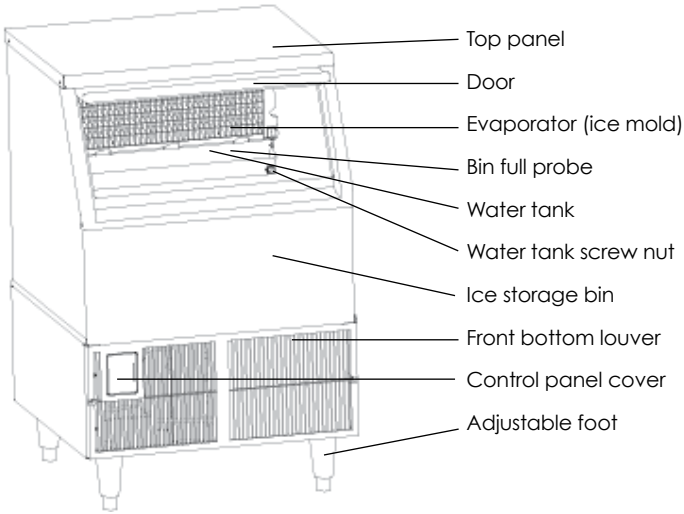
Model:	MIM250
Electrical input:	115VAC ~ 60Hz
Power consumption:	9.55 kW h /100 lbs of ice
Ice-making/Ice-harvest rated current:	9.2A/12A
Refrigerant:	R404a, 22.9 oz.
High/Low side pressure:	350psig/190psig
Unit width x depth x height:	24" x 24" x 39"
Unit weight:	136 lbs maximum
Ice storage capacity:	75 lbs maximum
Ice-making capability:	200 lbs/day*
Ice shape:	Cube
Ice cube dimensions:	1" x 1" x ¾"
Ambient temperature range for best operation:	50°F – 100°F
Optimum temperature range for feed water:	41°F – 90°F

*The actual quantity of ice produced per day can vary with room and water conditions. The technical data and performance index listed above should be used for reference only. They are subject to change.

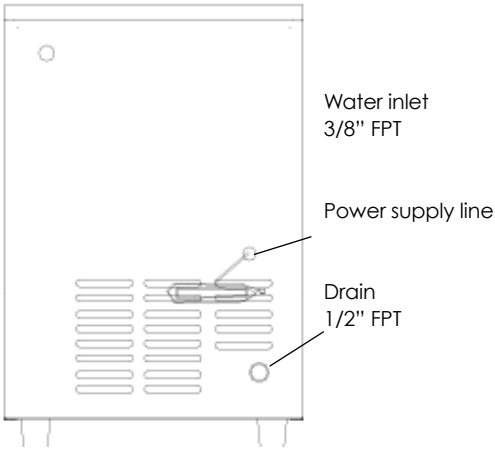


MAXX ICE

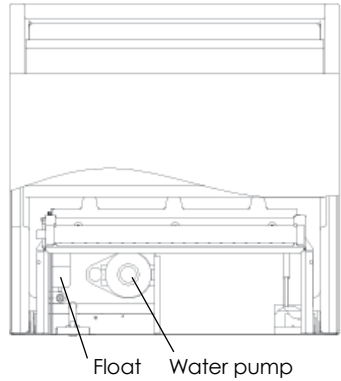
Component Information



BACK VIEW



TOP VIEW



Stability brackets



Ice scoop

Ice Maker Installation

UNPACKING

WARNING

Excessive Weight Hazard

Use two or more persons to move and install ice maker.
Failure to do so can result in back or other injury.

REMOVE PACKAGING MATERIALS

IMPORTANT: Do not remove any permanent instruction labels or the data label on your ice maker.

Remove tape and glue from your ice maker before using.

- To remove any remaining tape or glue, rub the area briskly with your thumb. Tape or glue residue can also be easily removed by rubbing a small amount of liquid dish soap over the adhesive with your fingers. Wipe with warm water and dry.
- Do not use sharp instruments, rubbing alcohol, flammable fluids, or abrasive cleaners to remove tape or glue. These products can damage the surface of your ice maker.
- Leave lowermost foam panel in place until after the adjustable feet are attached.

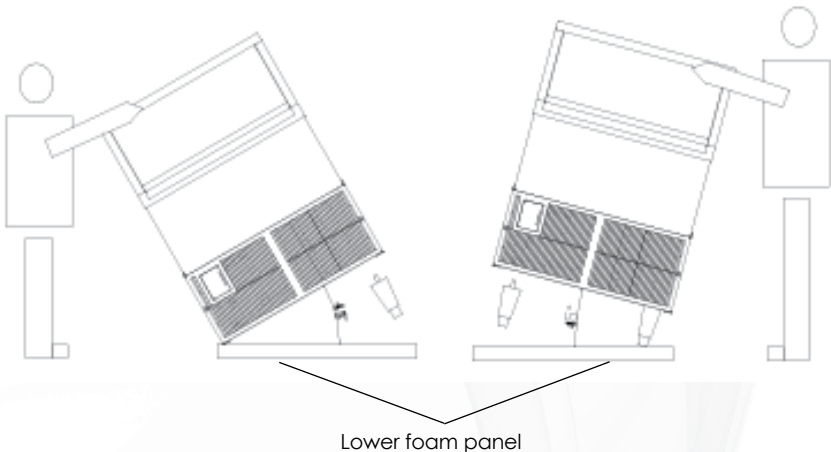
Cleaning before use

After you remove all tape and glue from the machine, clean the inside of your ice maker before using it. See "Interior Cleaning" in the Cleaning and Maintenance section.

Installing the adjustable feet

At least two persons are required to install the adjustable feet.

You will find four adjustable feet packed in the ice storage bin. To install, tilt one side of the unit and screw in two adjustable feet, as illustrated. (*IMPORTANT: Do not tilt the unit more than 45°*). Then tilt the other side and screw in the remaining two feet.





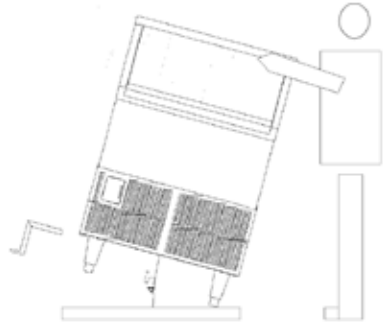
MAXX ICE

Ice Maker Installation

INSTALLING THE STABILITY BRACKETS

This operation requires at least two persons.

If you wish to install the ice maker in a free-standing mode rather than enclosed, it is necessary to attach the two metallic stability brackets that can be found packed inside the ice storage bin. Keeping the machine tilted to the right, but not more than 45°, attach one bracket to the center of the underside of the ice maker with two screws (supplied). See illustration below. Set the unit back on its four feet, then tilt it forward in order to screw in the second bracket on the underside of the unit opposite the first bracket. Level the ice maker. This operation will stabilize it for free-standing operation.



LOCATION REQUIREMENTS

This ice maker should be installed by qualified personnel.

NOTICE:

1. Before setting the ice maker inside a cabinet, connect the water supply pipe correctly. Untie the drain hose, insert it into the drain, and connect the power supply line.
2. Do not kink or pinch the power supply line between the ice maker and wall or cabinet.

Installation Clearance



- To ensure proper ventilation for your ice maker, the front of the unit must be completely unobstructed.
- When installing the ice maker under a counter, follow the recommended spacing dimensions shown. Allow at least 6" (150 mm) clearance at rear, and 1" (25 mm) at the sides and at the top for proper air circulation. The installation should allow the ice maker to be pulled forward for servicing if necessary.
- Choose a well-ventilated area with temperatures above 50°F (10°C) and below 100°F (38°C). This unit **MUST** be installed in an area protected from the elements, such as wind, rain, water spray or drips.
- The unit should not be located next to ovens, grills or other sources of high heat.
- Installation of the ice maker requires a cold water supply inlet of 3/8" (9.5 mm) soft copper tubing with a shut-off valve.
- The ice maker requires a continuous water supply with a minimum pressure of 15 psig and a static pressure not to exceed 80 psig. The temperature of the water feeding into the ice maker should be between 41°F (5°C) and 90°F (32°C) for proper operation.

Ice Maker Installation

⚠ WARNING

Normal operating ambient temperature should be between 50°F (10°C) and 100°F (38°C). Normal operating water temperature should be between 41°F (5°C) and 90°F (32°C). Operation of the ice maker for extended periods outside of these normal temperature ranges may affect production capacity.

- **IT IS STRONGLY RECOMMENDED TO USE A WATER FILTER. A FILTER, IF IT IS OF THE PROPER TYPE, CAN REMOVE TASTE AND ODORS AS WELL AS PARTICLES AND CAN PROLONG THE LIFE OF THE MACHINE.**
- The ice maker must be installed with all electrical and water connections in accordance with state and local codes.
- The unit should be located on a firm and level surface. It is important for the ice maker to be level in order to work properly. If needed, you can adjust the height of the ice maker by rotating the feet. See the Leveling the Ice Maker section.

ELECTRICAL REQUIREMENTS

⚠ DANGER ⚠



Plug into a grounded 3-prong outlet.
Never remove the grounding prong from the plug.
Never use an adapter.
Never use an extension cord.
Failure to follow these instructions can result in fire, electrical shock or death.

Before you move your ice maker into its final location, it is important to make sure you have the proper electrical connection. A standard electrical supply (220-240VAC, 50 Hz, 15 A), properly grounded in accordance with the National Electrical Code and local codes and ordinances, is required. The ice maker should always be plugged into its own individual electrical outlet. It is recommended that a separate circuit, serving only your ice maker, be provided. Use receptacles that cannot be turned off by a switch or pull chain. The fuse (or circuit breaker) size should be 15 amperes.

Recommended grounding method

For your personal safety, this appliance must be grounded. It is equipped with a power supply cord having a 3-prong grounding plug. To minimize possible shock hazard, the cord must be plugged into a mating 3-pronged and grounding-type wall receptacle, grounded in accordance with the National Electrical Code and local codes and ordinances. If a mating wall receptacle is not available, it is the personal responsibility of the customer to have a properly grounded, 3-prong wall receptacle installed by a qualified electrician.



MAXX ICE

Ice Maker Installation

LEVELING THE ICE MAKER

Once the ice cube machine is set in its enclosure, if the base is not level, you can adjust the feet by rotating the under block (see below) until the machine is level.

It is important for the ice maker to be leveled, or water may not flow properly through the evaporator (ice mold). Ice production will be lower than normal, and operation will be noisy.

Adjust the height of the under block of the adjustable foot, rotating it to the right (counter-clockwise) to lower that side of the ice maker. Turning the under block to the left (clockwise) raises that side of the ice maker.



Under block

Turning the under block counter-clockwise reduces the machine's height up.

Turning the under block clockwise increases the machine's height

Water Supply

The water supply should be ready at the point of installation. The water supply pressure should be a minimum of 15 psig with a static pressure not more than 80 psig. (A wall outlet directly behind the ice maker will make installation easier.)

We strongly recommended the use of a water filter. A filter, if it is of the proper type, can remove taste and odors as well as particles and can prolong the life of the machine.

IMPORTANT:

1. All installations must be in accordance with local plumbing code requirements. Professional installation is recommended.
2. Water inlet fitting: 3/8" FPT (Female Pipe Thread); drain line connection: 1/2" FPT.
3. Make certain you have a suitable water supply hose and two suitable drain hoses, and that the hoses are not pinched, kinked or damaged during installation.
4. Check for leaks after connection.

Tools required: 3/8" open-end wrench, Phillips screwdriver

Connecting the water line:

1. Turn off main water supply.
2. Find a water supply line near the installation location. The distance should be less than the length of the water supply hose.
3. A shut-off valve must be installed to the main water supply.
4. Connect the water supply hose to tap and water inlet valve. Tighten firmly by hand, then one-half turn with wrench.
5. Connect one water drain hose to ice maker drain line connection. Tighten firmly by hand, then one-half turn with wrench.
6. Connect another water drain hose to bin drain line connection. Tighten firmly by hand, then one-half turn with wrench.
7. Turn on main water supply and tap. Check for water supply connection leaks. Tighten every connection (including connections at the water inlet).

NOTE: If using a water filter, be sure to follow the filter manufacturer's directions.

Ice Maker Installation

INSTALLATION TYPES

This ice cube machine has been designed to be enclosed (as under a cabinet). It can also be free-standing (using the supplied stability brackets) or built-in (sealed to the floor). In every case, there must be adequate air space around the unit for ventilation purposes.

Enclosed Installation:

An enclosed installation will allow you to install the ice cube machine under a counter or in a kitchen cabinet provided the required clearance space around the ice maker is respected. You must follow the stated instructions for

- a. Electrical requirements
- b. Water supply

Free-standing Installation:

The ice cube machine can be installed to be free-standing in any place you desire provided you have access to a water supply. This installation has the same requirements as an enclosed installation, plus you must also follow the stated instructions for Installing the Stability Brackets.

Built-in Installation:

If this method of installation is chosen, it will still be necessary to allow adequate ventilation space around the unit. The following additional items must be observed.

1. Place the ice cube machine in front of the installation location. Raise the machine and place it on the floor or on a platform depending on your installation requirements.
2. The water supply line must be plumbed before connecting to the ice maker.
3. Turn on the main water supply and tap. Check for water supply connection leaks. Tighten every connection (including connections at the water inlet).
4. If the electrical outlet for the ice maker is behind the cabinet, plug in the ice maker.
5. Push the ice maker into position.
6. Seal all around the cabinet to the floor with an approved caulking compound.

LIGHT BULB REPLACEMENT

1. Upper light bulb replacement: Loosen the screws in the bottom of top shroud, swing the top shroud up until it is held by the top of the cabinet, now the light bulb can be replaced;
2. LED light bulb replacement: Take the cover off, then the LED bulb can be replaced.



MAXX ICE

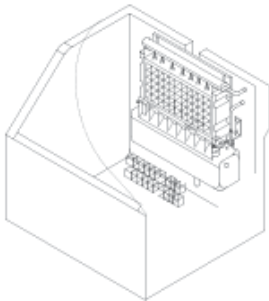
Operation

FINAL CHECK LIST BEFORE OPERATION

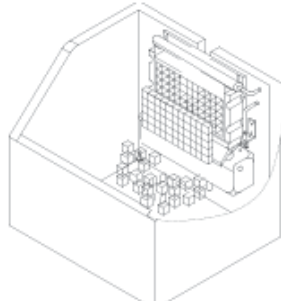
1. Have all packing materials and tape been removed from the interior and exterior of the ice maker?
2. Did you clean the ice storage bin?
3. Have the installation instructions been followed, including connecting the machine to water and electricity?
4. Has the machine been leveled?
5. Is the ice cube machine in a site where the ambient temperature is between 50° F (10° C) and 100° F (38° C) and the water temperature between 41° F (5° C) and 90° F (32° C) all year round?
6. Has the water supply pressure been checked to ensure a minimum of 15 psig with a static pressure not to exceed 80 psig?
7. Is there a clearance of at least 6" (150 mm) at the rear, 1" (25 mm) at the top and sides for proper air circulation?
8. Has the power supply voltage been checked or tested against the nameplate rating? And has proper grounding been installed for the ice cube machine?
9. Is the ice cube machine plugged in?
10. Have you turned on the main water supply and the tap?
11. Have you checked for leaks at all water supply connections?

OPERATING METHOD

- 1 Turn on the water tap, letting the water enter the water tank, then turn the power switch ON. The power switch's indicator lamp lights, as well as the other three indicator lights on the control panel.
2. After about 3 minutes, the ice maker will automatically proceed to the ice-making stage, and the sound of flowing water will be heard. Only the red power switch lamp and the green Ice Making LED will be on.
3. When the batch of ice has been fully formed, ice will automatically fall into the ice storage bin. The yellow Ice Harvest LED and power switch LED are on, and the other two LEDs are off.
4. When the ice storage bin is full, the sheet of cubes will not fall completely and will hold the bin full probe open. The machine is in the bin full mode, and the red Bin Full LED is lit. The power switch LED is on and the other two LEDs are off.
5. The unit starts making ice again automatically approximately 3 minutes after ice cubes are removed. As ice is removed, the bin full probe swings back to operating position.



Ice-making stage



Ice harvest stage

IMPORTANT:

- Although the unit has been tested and cleaned at the factory, due to long-term transit and storage, the first batch of cubes must be discarded.
- Never turn the water supply tap off when the ice maker is working.
- Never touch the evaporator when the machine is running.
- Except to take ice from the unit, keep the door closed to reduce melting and insure proper ice formation.

Operation

HOW THE MACHINE MAKES ICE

When the power switch is first turned ON, the machine is in Stand-by mode. After about 3 minutes, it will automatically proceed to the ice-making stage.

There are two distinct cycles: Freeze and Harvest. During the Freeze cycle, water flows to the evaporator surface. In the Harvest cycle, the ice is released and water enters the machine. A complete cycle can take 15 to 40 minutes, depending on ambient temperature and operating conditions.

Freeze: During the Freeze cycle the compressor is pumping refrigerant, the fan motor is blowing air, and the water pump is circulating water. When the batch of ice has been fully formed, the ice maker stops the Freeze cycle and begins the Harvest cycle.

Harvest: During the Harvest cycle the compressor is still operating, power is supplied to the water purge valve and hot gas valve. The water purge valve opens and allows the water pump to purge the water remaining in the water tank, removing all impurities and sediment. This allows the machine to make clear ice cubes and keep mineral build-up at a minimum. Then the water pump stopped. The hot gas valve opens, diverting hot refrigerant gas into the evaporator. The gas warms the evaporator, causing the cubes to slide as a unit off the evaporator and into the storage bin. The Freeze cycle will restart when all the cubes drop into the bin.

HOW THE MACHINE USES WATER:

The ice cube machine begins with a fixed charge of water that is contained in the water tank. As the water flows to the freezing evaporator surface, the water will freeze and stick to the ice cube molds. During the ice-making process, fresh water enters the water tank continuously as the water from the trough freezes continuously on the evaporator.

NORMAL SOUNDS

Your new ice cube machine may make sounds that are unfamiliar to you. Most of the new sounds are normal. Hard surfaces like the floor and walls can amplify the sounds. The following describes the kinds of sounds that might be new to you and what may be causing them.

- Rattling noises may come from the flow of the refrigerant or the water line. Items stored on top of the ice cube machine can also make noises.
- The high-efficiency compressor may make a pulsating or high-pitched sound.
- Running water may make a splashing sound.
- You may hear air being forced over the condenser by the condenser fan.
- During the Harvest cycle, you may hear the sound of ice cubes falling into the ice storage bin.

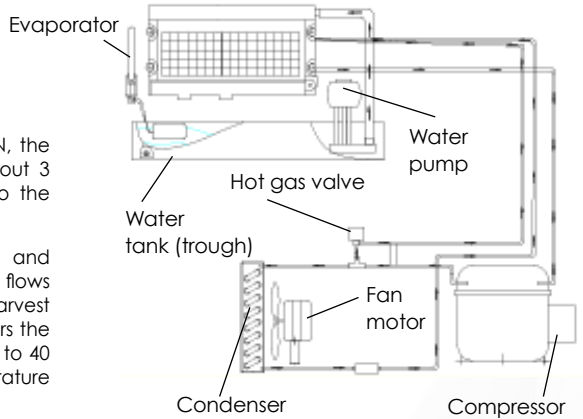
PREPARING THE ICE CUBE MACHINE FOR LONG STORAGE

If the ice cube machine will not be used for a long time, or it is to be moved to another place, it will be necessary to drain the system of water.

1. Shut off the water supply at the main water source.
2. Disconnect the water supply line from the water inlet.
3. Shut off the power supply at the main electrical power source.
4. Screw off the water tank screw nut and drain out water completely, then tighten the nut after finishing.
Dry the tank.
5. Remove the ice from the ice storage bin. Dry the bin.
6. Leave the door open to allow for circulation and to prevent mold and mildew.
7. Leave the water supply line and power cord disconnected until ready to reuse..

IMPORTANT:

- Do not touch the power plug when your hands are wet.
- Never unplug the unit by pulling on the cord.





MAXX ICE

Cleaning and Maintenance

CAUTION

If the ice maker is left unused for a long time, before the next use it must be thoroughly cleaned. Follow carefully any instructions provided for cleaning or use of sanitizing solution. Do not leave any solution inside the ice maker after cleaning.

Periodic cleaning and proper maintenance will ensure efficiency, top performance, and long life. The maintenance intervals listed are based on normal conditions. You may want to shorten the intervals if you have pets or there are other special considerations.

WHAT SHOULDN'T BE DONE

Never keep anything in the ice storage bin other than ice: objects like wine and beer bottles are not only unsanitary, but the labels may slip off and plug up the drain.

WHAT SHOULD BE KEPT CLEAN

There are 4 things to keep clean:

1. The exterior
2. The interior
3. Water distribution tube
4. The ice-making system cleaning

⚠ WARNING

Before proceeding with cleaning and maintenance operations, make sure the power line of the unit is disconnected and the water line is shut off. (EXCEPTION: Cleaning of ice-making system)

EXTERIOR CLEANING

The door and cabinet may be cleaned with a mild detergent and warm water solution such as 1 oz of dishwashing liquid mixed with 2 gallons of warm water. Do not use solvent-based or abrasive cleaners. Use a soft sponge and rinse with clean water. Wipe with a soft clean towel to prevent water spotting. Clean stainless steel with a cloth dampened with a mild detergent and warm water solution. Never use an abrasive cleaning agent.

INTERIOR CLEANING

The ice storage bin should be sanitized occasionally. Clean the water tank before the ice cube machine is used for the first time and reused after stopping for an extended period of time. It is usually convenient to sanitize the trough after the ice-making system has been cleaned and the ice storage bin is empty.

1. Disconnect power to the unit.
2. Open the door. You will find the water tank screw nut on the front right of the water tank. Screw off the nut and drain water completely into the ice storage bin. The water drains out of the machine through the drain hole in the bin.

NOTE: Don't forget to screw the nut back into place again.

3. Using a sanitizing solution made of 1 ounce of household bleach and 2 gallons of hot water (95° to 115°F), wipe down the water tank and the inside of the ice storage bin with a clean cloth. To clean hard-to-reach corners, apply the sanitizing solution with a spray bottle.
4. Rinse thoroughly with clear water. This completes the routine interior cleaning of the unit.
5. Reconnect the power.

The ice scoop should be washed regularly. Wash it just like any other food container.

Cleaning and Maintenance

⚠ WARNING

DO NOT use solvent-based cleaning agents or abrasives on the interior. These cleaners may transmit taste to the ice cubes, or damage or discolor the interior.

WATER DISTRIBUTION TUBE CLEANING

When you find that the ice cubes are incompletely formed or the output of ice cubes is low, the water distribution tube may be blocked. Set the power switch to OFF. Unscrew the six screws holding the top panel and remove the panel. You will see the water distribution tube. Rotate the water distribution tube so that the holes in it are facing up. Using a toothpick or similar tool, dredge the holes, then rotate the water distribution tube back to its original position. If the tube is badly blocked, clean it as follows:

1. Shut off the water and power supplies.
2. Disconnect the water hose from the distribution tube.
3. Lift one side, remove the distribution tube.
4. With a brush, clean the tube with a dilute solution of warm water and a mild detergent such as dishwashing liquid. After removing the dirt and lint from the surface, rinse the tube with clean water.
5. Replace the distribution tube.
6. Reconnect the water supply and power supply lines.
7. Re-attach the top panel.

ICE-MAKING SYSTEM CLEANING

Minerals that are removed from water during the freezing cycle will eventually form a hard, scaly deposit in the water system. Cleaning the system regularly helps remove the mineral scale buildup. How often you need to clean the system depends on how hard your water is or how effective your filtration may be. With hard water of 15 to 20 grains/ gallon (4 to 5 grains/liter), you may need to clean the system as often as every 3 months.

1. Set the power switch to OFF.
2. Remove all ice cubes from the storage bin.
3. Keep the ice maker connected to the water supply. Pour 8 oz. of Nickel-Safe Ice Maker Cleaner Solution into the water tank.
4. Turn the power switch ON. Within 3 minutes, press the CLEAN button. The machine will run the Automatic Clean mode. The green Ice Making and the yellow Ice harvest LEDs will blink.
5. The cleaning cycle will continue for 30 minutes unless you press the power switch (you can press the power switch to stop the cleaning cycle any time during the 30 minutes). After cleaning, the green Ice Making and yellow Ice Harvest LEDs go on steady and the machine returns to Stand-by mode.
6. The dirty water must be drained out completely. Perform steps 2 and 3 in the Interior Cleaning section.
7. Repeat steps 1 to 6 above three times to rinse the ice-making system completely. NOTE: Do not add Ice Maker Cleaner Solution to the water trough during the rinses.
8. If you want to make ice cubes after cleaning, turn off the power switch, drain off the waste water, then turn on the power switch. The next ice-making cycle will begin.
9. Discard the first batch of ice.



MAXX ICE

Cleaning and Maintenance

Sanitizing the Ice-Making System

1. Set the power switch to OFF.
2. Remove all ice cubes from the storage bin.
3. Prepare a sanitizing solution by mixing 1 oz. household bleach with 1 gallon of warm water.
4. Keep the ice maker connected to the water supply. Fill the water tank with the sanitizing solution.
5. Turn the power switch ON. Within 3 minutes, press the CLEAN button. The machine will run the Automatic Clean mode. The yellow Ice Harvest and the red Bin Full LEDs will blink.
6. The cleaning cycle will continue for 30 minutes unless you press the power switch (you can press the power switch to stop the cleaning cycle any time during the 30 minutes). After cleaning, the yellow Ice Harvest and the green Ice Making LEDs go on steady and the machine returns to Stand-by mode.
7. The dirty water must be drained out completely. Perform steps 2 and 3 in the Interior Cleaning section.
8. Repeat steps 4 to 7 above three times with fresh water to rinse the ice-making system completely.
NOTE: Do not add any cleaning or sanitizing solution to the water trough during the rinses.
9. If you want to make ice cubes after cleaning, turn off the power switch, drain off the waste water, then turn on the power switch. The next ice-making cycle will begin.
10. Discard the first batch of ice.

⚠ WARNING

The ice machine cleaner contains acids.

DO NOT use or mix with any other solvent-based cleaner products.

Use rubber gloves to protect hands. Carefully read the material safety instructions on the container of the ice machine cleaner.

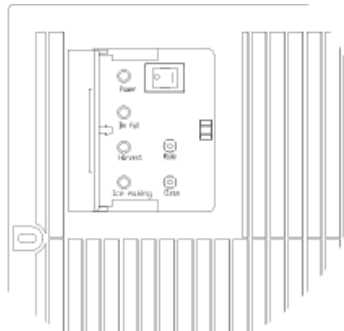
DISCARD the first batch of ice produced after cleaning.

Control Panel (located at the left side of front bottom louver panel)

Push the control panel cover to open it. The control panel includes one power switch, two buttons and four indicator lights.

OPERATION OF THE CONTROL PANEL:

1. When the unit is plugged in and the power switch is turned on, the power indicator and the other three indicator lights are all on.
2. After 3 minutes for water inlet, the ice machine will start to make ice automatically. Only the power and ice-making indicators will be on.
3. During harvesting, the harvest indicator light is on and the ice-making indicator is off. When the ice storage bin is full, only the ice-full indicator and power indicator are on.
4. If the Clean button is pressed during the ice-making mode, it will be ignored. The ice-making will continue.
5. When you want to clean the machine, turn off the power switch first, then turn it on again. Press the Clean button within 3 minutes and the ice maker will start the cleaning mode, with harvest and ice-making indicators blinking. After 30 minutes, the cleaning mode stops and the harvest indicator and ice-making indicators are on steady. If you want to restart the ice-making process after cleaning, turn off the power switch first and drain the waste water, then turn on the power switch again and the machine will automatically go into the ice-making process.
6. If you want to interrupt the cleaning mode before it is finished, do not press the Clean button again. Instead, turn the power switch off. This stops the cleaning mode.



Control Panel (located at the left side of front bottom louver panel)

7. If the machine is on but only the power indicator light is lit, this may indicate that not enough water is reaching the system, that the water pump is not functioning, or some similar problem. First check the level in the water tank, then examine the water pump, etc.
8. If the unit is connected to the power supply but no visual indicator lights up when the power switch is turned on, the fuse in the control panel box may need to be replaced.

DESCRIPTIONS OF LEDS AND BUTTONS:

1. Bin Full (red) LED: Bin Full indicator light

When this LED is on, the ice storage bin is full of ice cubes or there is something obstructing the bin full probe. The unit will stop working. When ice cubes are removed from the ice storage bin, clearing the bin full probe, the red LED will flash for 3 minutes. Then the unit will restart and return to the ice-making mode.

2. Ice Making (green) LED: Ice Making indicator light

When this LED is on, the unit is working in the ice-making mode. When the green LED is flashing, the unit is working in the ice-making mode but approaching the ice harvest mode.

3. Ice Harvest (yellow) LED: Ice Harvest indicator light

When this LED is on, the unit is working in the ice harvest mode controlled by the bin full probe.

4. POWER LED (WHITE): Power indicator light of the controller box. This LED will turn ON only when the main power switch is turned

5. MODE button: This button is mainly for service. When it is pressed, the ice making mode changes to ice harvest mode or vice versa. The mode is indicated by the status of the green or yellow LEDs.

6. CLEAN button

If you press the Clean button or the Clean switch within three minutes after the power has been turned ON, the ice maker will enter the cleaning mode. If press the Clean button and hold it for more than six seconds, the machine will enter the draining mode. The red and yellow LEDs will be blinking together.

ICE SIZE ADJUSTMENT GUIDE:

1. Press and hold the "Clean" button and the "Mode" button together for at least 3 seconds. The unit will enter the Ice Size Adjustment mode. The "ICE" LED (green) will be blinking continuously during the ice size adjustment.
2. While in the Ice Size Adjustment mode, press the "Clean" button or the "Mode" button for the desired ice size.

SMALLER ICE SETTING:

By pressing the "Clean" button, you can decrease the size of the ice cubes. The "FULL" LED (red) will flash as you lower the ice size and will finally be blinking at the setting of smallest ice size.

LARGER ICE SETTING:

By pressing the "Mode" button, you can increase the size of the ice cubes. The "HARVEST" LED (yellow) will flash as the larger size is set and will blink when the setting of largest ice size has been reached.

After 10 seconds without any operation, the unit will automatically memorize the current state and return to the previous mode.

NOTE:

- If during the ice size adjustment mode the "BIN FULL", "ICE MAKING" and "HARVEST" LEDS blink all at once, this indicates that the unit is in the regular (middle) setting of the ice size.
- When the machine is in the cleaning stage or ice full stage, the ice size adjustment mode cannot be accessed.

IMPORTANT:

- Avoid letting water contact the control box.

Troubleshooting

BEFORE CALLING FOR SERVICE

If the unit appears to be malfunctioning, read through the OPERATION section of this manual first. If the problem persists, check the Troubleshooting Guide on the following page. The problem may be something very simple that can be solved without a service call.



Troubleshooting Guide

PROBLEM	POSSIBLE CAUSE	PROBABLE CORRECTION
The machine doesn't operate	The ice maker is unplugged.	Plug the ice maker in.
	The fuse is blown.	Replace fuse--if it happen, call for service to check for a short circuit in the ice maker.
	The ice maker power switch is OFF.	Turn the ice maker power switch to ON
	The ice storage bin is full of ice.	Take away some ice, make the ice-full sensor is free of ice.
The water doesn't feed in after the ice maker starts.	The water supply tap is turn off.	Turn on the water supply tap.
	The water supply pipe is not proper connected.	Reconnect the water supply pipe.
Machine makes ice, but bin does not fill up with ice	The condenser may be dirty.	Clean the condenser.
	The air flow to the ice maker may be obstructed.	Check the installation.
	The ambient temperature and water temperature are high, or it is near with some heat resource.	Check the installation.
Water is leaking out the unit.	A few water drops to the floor when you open the door to take out ice from ice storage bin.	Normal condensation on the door or some water together with ice. Take care when you take out ice.
	Water supply connection leaks.	Tighten fitting. See Connecting the water line.
Cubes are partially formed--are white at the bottom.	Not enough water in the water bin.	Check if the water supply pressure is below 15psig.
		Check water supply--filter may be restricted.
		Check for a water leak at the water tank.
Noise during operation	The feet are not leveled.	See Leveling the Ice Maker.
	Certain sounds are normal.	See Normal Sounds.
The icemaker stops suddenly while making ice.	The electricity is off.	Reconnected the power supply line.
	The room temperature is out the state range.	Cut off the electricity, let the ice maker stop working till the temperature returns within the stated range.
The body of the ice maker is electrified	The earth line isn't in the socket.	Please use the socket meeting the standard.
Scales occur frequently inside the machine.	The hardness of the water quality is too high.	Using a water-soften apparatus installed in front of the water inlet.
The ice cubes are not completely formed when being dumped.	The sprinkler is blocked.	Clean the sprinkler, see "interior cleaning"



MAXX ICE



CONTENTS

RENSEIGNEMENTS RELATIFS À LA SÉCURITÉ	20
MESURES DE PROTECTION IMPORTANTES	21-22
RENSEIGNEMENTS TECHNIQUES	22
RENSEIGNEMENTS RELATIFS AUX COMPOSANTS	23
RENSEIGNEMENTS RELATIFS À L'INSTALLATION	24
Déballage	24
Retrait des matériaux d'emballage	24
Installation des pattes de nivellement	24
INSTALLATION DE LA MACHINE À GLAÇONS	25-28
Installation des attaches de stabilisation	25
Exigences relatives à l'emplacement	25-26
Exigences relatives à l'installation électrique	26
Nivellement de la machine à glaçons	27
Alimentation en eau	27
Types d'installation	28
FONCTIONNEMENT	29-30
Liste de vérification finale avant la mise en fonction	29
Méthodes de fonctionnement	29
Méthodes de fabrication des glaçons	30
Bruits normaux	30
Préparation de la machine à glaçons pour l'entreposage	30
NETTOYAGE ET ENTRETIEN	31-33
Nettoyage de l'extérieur de l'appareil	31
Nettoyage de l'intérieur de l'appareil	31
Nettoyage des conduites et des raccords d'eau	32
Nettoyage du système de fabrication de la glace	32
Désinfection du système de fabrication de glaçons	33
TABLEAU DE COMMANDE	34
DÉPANNAGE	34
GUIDE DE DÉPANNAGE	35
NOTES	36
ANGLAIS	1-18
FRANÇAIS	19-36
ESPAGNOL	37-54

Nous nous réservons le droit d'apporter des changements aux spécifications et à la conception sans préavis.

Assurez-vous que la machine à glaçons est bien droite.

RENSEIGNEMENTS RELATIFS À LA SÉCURITÉ

Nous avons fourni de nombreuses directives de sécurité dans ce manuel et sur votre appareil. Il est impératif que vous lisiez et que vous respectiez toutes les instructions relatives à la sécurité.



Voici le symbole d'alerte à la sécurité. Ce symbole vous avertit des risques potentiels de blessures graves ou même de mort qui peuvent survenir pour vous ou toute autre personne. Tous les messages concernant la sécurité seront précédés du symbole d'alerte à la sécurité et des mots « DANGER », « AVERTISSEMENT » ou « ATTENTION ».

▲ DANGER ▲

DANGER indique que le non-respect des directives de sécurité peut entraîner la mort ou des blessures graves.

▲ WARNING

AVERTISSEMENT indique que le non-respect des directives de sécurité peut causer des dommages importants au produit, des blessures graves ou même la mort.

CAUTION

ATTENTION indique que le non-respect des directives de sécurité peut causer des blessures mineures ou modérées à l'utilisateur ou endommager l'équipement ou d'autres biens..

Toutes les directives de sécurité vous mettront en garde contre les risques potentiels, vous permettront de réduire les risques de blessure et vous indiqueront ce qui peut arriver en cas de non-respect des instructions.

NOTE : CONSIGNES DE SÉCURITÉ IMPORTANTES

AVERTISSEMENT : Afin de réduire les risques d'incendie, d'électrocution ou de blessures lors de l'utilisation de la machine à glaçons, vous devez respecter ces règles de sécurité de base :

- Branchez l'appareil dans une prise avec mise à la terre
- N'enlevez pas la branche de mise à la terre
- N'utilisez pas d'adaptateur
- N'utilisez pas de rallonge électrique
- Débranchez le câble d'alimentation avant de procéder au nettoyage de l'appareil
- Débranchez le câble d'alimentation avant de procéder à l'entretien de l'appareil
- Remplacez tous les panneaux avant d'utiliser l'appareil
- Au moins deux personnes sont requises pour déplacer et installer la machine à glaçons

CONSERVEZ SOIGNEUSEMENT CES INSTRUCTIONS

MAXX ICE

MESURES DE PROTECTION IMPORTANTES



Avant d'utiliser la machine à glaçons, elle doit être positionnée et installée conformément aux instructions indiquées dans ce manuel, alors veuillez lire attentivement le manuel. Nous vous recommandons fortement de faire installer votre nouvelle machine par un spécialiste. Une installation inadéquate peut modifier ou annuler la garantie. Afin de réduire les risques d'incendie, d'électrocution ou de blessures lors de l'utilisation de la machine à glaçons, vous devez respecter ces règles de sécurité de base :

DANGER

- Branchez l'appareil dans une prise avec mise à la terre. N'enlevez pas la branche de mise à la terre, n'utilisez pas d'adaptateur, et n'utilisez pas de rallonge électrique.
- Il est recommandé qu'un circuit électrique séparé soit utilisé uniquement pour votre machine à glaçons. Utilisez des prises qui ne peuvent pas être éteintes par un commutateur ou un interrupteur à tirage.
- Ne jamais brancher ou débrancher la fiche électrique avec les mains mouillées.
- Ne jamais débrancher la machine à glaçons en tirant sur le cordon d'alimentation. Veuillez toujours tenir la fiche fermement et tirer jusqu'à ce qu'elle sorte de la prise.
- Ne jamais nettoyer les pièces de la machine à glaçons avec des produits inflammables. Ne pas entreposer ni utiliser d'essence ou tout autre liquide ou produit dégageant des vapeurs inflammables à proximité de cet appareil ou de tout autre appareil. Les émanations peuvent provoquer un risque d'incendie ou d'explosion.
- Avant toute opération de nettoyage ou d'entretien, assurez-vous que le cordon d'alimentation de la machine est débranché et que la conduite d'eau est fermée. (EXCEPTION : Lors du nettoyage du réseau d'alimentation en eau et du système de fabrication des glaçons de l'appareil)
- Assurez-vous de reposer tous les panneaux avant d'utiliser l'appareil.
- Ne touchez pas l'évaporateur avec vos mains lorsque l'appareil fonctionne.
- Débranchez la machine à glaçons ou coupez l'alimentation électrique avant toute opération de nettoyage ou d'entretien. Le non-respect de cette directive peut causer une électrocution ou même la mort.
- N'essayez pas de réparer ou de remplacer les pièces de votre machine à glaçons vous-même, à moins que ce soit expressément recommandé dans ce manuel. Toute autre réparation devrait être effectuée par un technicien qualifié.

WARNING

- Au moins deux personnes sont requises pour déplacer et installer la machine à glaçons. Le non-respect de cette directive peut entraîner des blessures au dos ou d'autres types de blessures.
- Afin d'assurer une ventilation adéquate pour votre machine à glaçons, l'avant de l'appareil doit être complètement dégagé. Choisissez une pièce bien ventilée ayant une température ambiante entre 50 °F (10 °C) et 100 °F (38 °C). Cet appareil DOIT être installé dans une zone protégée des éléments comme le vent, la pluie, de l'eau pulvérisée ou les gouttes d'eau.
- La machine à glaçons ne doit pas se trouver près de fours, de grils ou d'autres sources de chaleur. Tous les raccordements électriques et les raccordements d'eau de la machine à glaçons doivent être installés en conformité avec les codes nationaux et locaux. Une alimentation électrique standard (220-240 VAC, 50 Hz, 15 A) est requise et doit être mise à la terre en conformité avec le Code national de l'électricité et les codes locaux.
- Ne coinciez pas et ne pliez pas le cordon d'alimentation ou le raccord du drain entre une armoire et la machine à glaçons.
- Le fusible (ou le disjoncteur) pour la machine à glaçons doit être de 15 ampères.
- Pour assurer le bon fonctionnement de la machine à glaçons, il est important de la mettre à niveau. Plusieurs réglages peuvent être nécessaires.
- Toutes les installations doivent être conformes aux exigences du Code de plomberie.
- Assurez-vous que les tuyaux ne sont pas coincés, pliés ou endommagés lors de l'installation.
- Après avoir branché l'appareil, vérifiez qu'il n'y a pas de fuites.
- Retirez les matériaux d'emballage et nettoyez la machine à glaçons avant la première utilisation.
- Ouvrez la conduite d'alimentation en eau avant de mettre en marche la machine à glaçons. Ne jamais fermer la conduite d'alimentation en eau lorsque l'appareil est en fonction.
- Veuillez garder la porte fermée, sauf lors de l'approvisionnement, afin de ne pas faire fondre les cubes de glace et de favoriser leur fabrication.

- Bien que l'appareil ait été testé en usine, en raison de la longue durée de transit et d'entreposage, les premiers glaçons doivent être jetés.
- S'il est prévu que la machine à glaçons ne soit pas utilisée pour une longue période, veuillez la nettoyer soigneusement avant la prochaine utilisation. Suivez attentivement les instructions fournies pour le nettoyage ou l'utilisation de produits désinfectants. Ne laissez pas de produit à l'intérieur de l'appareil après le nettoyage.
- NE touchez PAS les ailettes du condenseur. Les ailettes du condenseur sont tranchantes et peuvent être facilement endommagées.
- NE PAS utiliser de produits de nettoyage à base de solvants ou d'abrasif sur la surface intérieure. Ces nettoyants peuvent conférer un arrière-goût aux glaçons ou endommager et décolorer l'intérieur de l'appareil.
- Le produit de nettoyage pour la machine à glaçons contient des acides. NE PAS utiliser ou mélanger avec d'autres produits de nettoyage à base de solvants. Utilisez des gants de caoutchouc pour protéger vos mains. Lisez attentivement les consignes de sécurité affichées sur la bouteille du produit de nettoyage pour la machine à glaçons.
- Ne pas utiliser cet appareil pour d'autres fins que celles prévues.

CONSERVEZ SOIGNEUSEMENT CES INSTRUCTIONS

Raccordement électrique

Vous ne devez, en aucun cas, couper ou enlever la branche de mise à la terre du cordon d'alimentation. Pour votre sécurité, cet appareil doit être correctement mis à la terre. Le cordon d'alimentation de cet appareil est équipé d'une fiche de mise à la terre qui fonctionne avec une prise avec mise à la terre standard afin de réduire les risques d'électrocution. Faites vérifier la prise de courant murale et le circuit électrique par un électricien qualifié pour vous assurer que la prise est correctement mise à la terre. Lorsque vous êtes en présence d'une prise murale standard, il est de votre responsabilité et de votre obligation de la faire remplacer par une prise avec mise à la terre. La machine à glaçons doit toujours être branchée dans sa propre prise de courant qui a une tension correspondant à celle indiquée sur la plaque signalétique apposée sur l'appareil. Cela fournit les meilleures conditions et empêche la surcharge des circuits électriques de la maison, ce qui pourrait causer un risque d'incendie par surchauffe des fils. Ne jamais débrancher la machine à glaçons en tirant sur le cordon d'alimentation. Veuillez toujours tenir la fiche fermement et tirer jusqu'à ce qu'elle sorte de la prise. Réparez ou remplacez tous les cordons d'alimentation effilochés ou endommagés. Ne pas utiliser un cordon d'alimentation qui présente des signes de fissures ou d'abrasion sur sa longueur ou aux extrémités. Lors du déplacement de la machine à glaçons, assurez-vous de ne pas endommager le cordon d'alimentation.

Rallonge électrique

Dans certaines conditions, en raison de risques potentiels pour la sécurité, il est fortement recommandé de ne pas utiliser de rallonge électrique avec la machine à glaçons.

RENSEIGNEMENTS TECHNIQUES

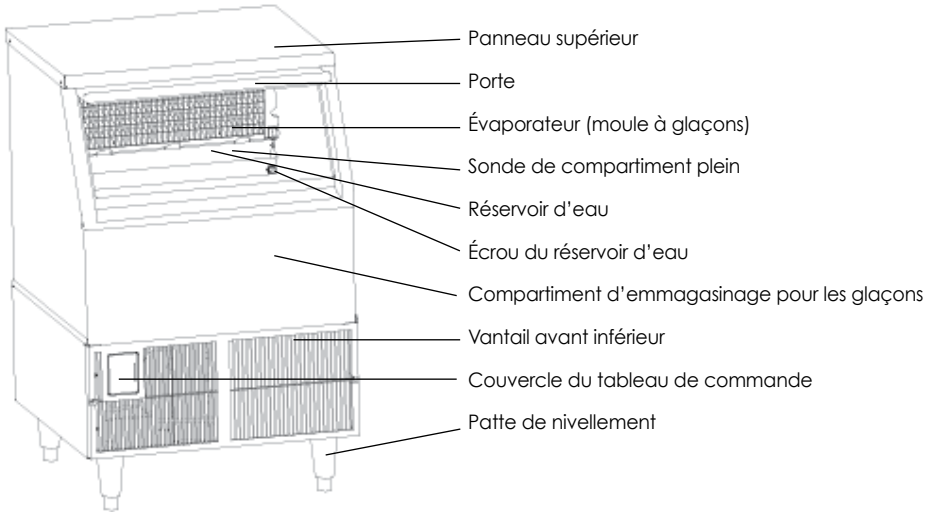
MODÈLE	MIM250
Électricité consommée	115 VAC ~ 60Hz
Consommation	9,55 kWh /100 lb de glace
"Courant électrique de la fabrication et de la production de glaçons"	9,2 A/12 A
Fluide frigorigène	R404a, 22,9 oz
Pression d'aspiration	350 psi/190 psi
Largeur, profondeur et hauteur de l'appareil	24 po x 24 po x 39 po (61 cm x 61 cm x 99 cm)
Poids de l'appareil	136 lb maximum (62 kg)
Fabrication de glaçons	200 lb/jour (91 kg/jour)
Forme des glaçons	Cubique
Dimensions des glaçons	1 po x 1 po x 3/4 po (2,5 cm x 2,5 cm x 2 cm)
Température de l'air ambiant pour un fonctionnement optimal	50 °F – 100 °F (10 °C – 38 °C)
Température de l'eau optimale	41°F – 90°F (5°C – 32 °C)

*La quantité réelle de glaçons produite par jour peut varier selon les conditions de l'eau et d'emplacement. Les données techniques et relatives à la performance énumérées ci-dessus ne doivent être utilisées qu'à titre indicatif. Elles sont sujettes à changement.

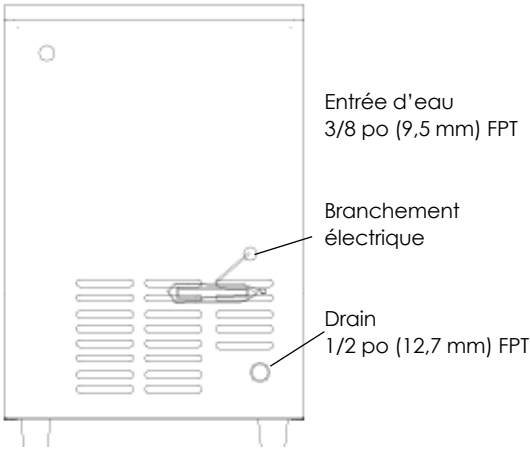


MAXX ICE

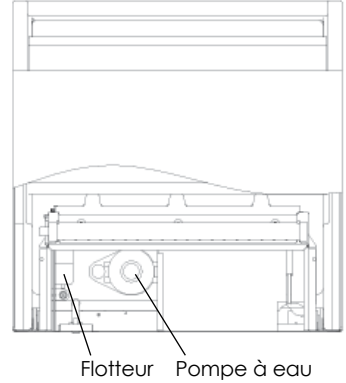
RENSEIGNEMENTS RELATIFS AUX COMPOSANTS



VUE ARRIÈRE



VUE EN PLAN



Attaches de stabilisation



Pelle à glaçons

Renseignements relatifs à l'installation

DÉBALLAGE

⚠ WARNING

Risques de poids excessif

Au moins deux personnes sont requises pour déplacer et installer la machine à glaçons. Le non-respect de cette directive peut entraîner des blessures au dos ou d'autres types de blessures.

RETRAIT DES MATÉRIAUX D'EMBALLAGE

IMPORTANT: Ne retirez aucun des autocollants d'instructions ou de données apposés sur votre machine à glaçons. Retirez le ruban adhésif et la colle de votre machine à glaçons avant l'utilisation.

- Pour enlever complètement le ruban adhésif et la colle, frottez la surface rigoureusement avec votre pouce. Les résidus de ruban adhésif et de colle peuvent aussi être enlevés en frottant avec les doigts à l'aide d'une petite quantité de liquide à vaisselle. Essuyez avec de l'eau tiède et séchez avec un chiffon doux.
- N'utilisez pas d'instruments tranchants, d'alcool à friction, de liquides inflammables ou de nettoyants abrasifs pour enlever le ruban adhésif ou la colle. Ces produits peuvent endommager la surface de votre machine à glaçons.
- Laissez le panneau inférieur en mousse en place jusqu'à ce que les pattes de nivellement soient installées.

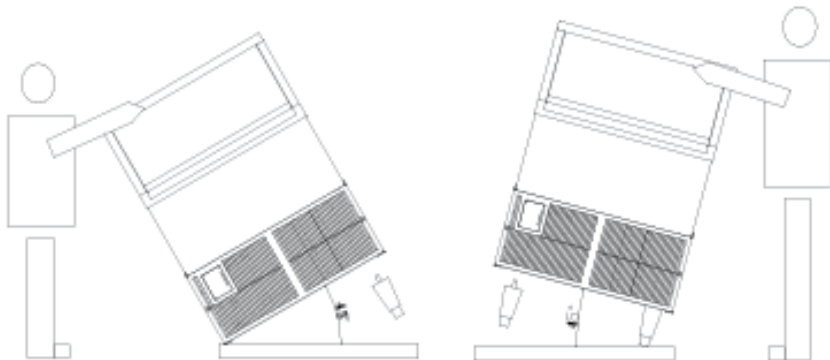
Nettoyage avant utilisation

Après avoir retiré tout le ruban adhésif et la colle de l'appareil, nettoyez l'intérieur de la machine à glaçons avant de l'utiliser. Voir « Nettoyage à l'intérieur de l'appareil » dans la section Nettoyage et entretien.

Installation des pattes de nivellement

Installez les pattes de nivellement avec l'aide d'au moins une autre personne.

Vous trouverez les quatre pattes de nivellement dans le compartiment d'emmagasinement pour les glaçons. Pour les installer, penchez un côté de l'appareil et vissez deux pattes à leurs places. (IMPORTANT : Ne penchez pas l'appareil à plus de 45°.) Penchez ensuite l'appareil de l'autre côté, et vissez les deux autres pattes.

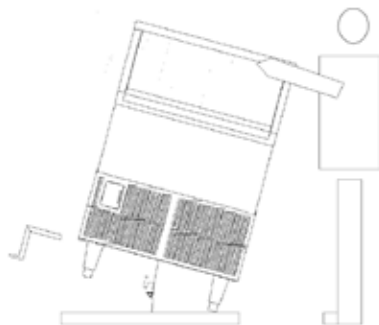


Panneau inférieur en mousse

Installation de la machine à glaçons

INSTALLATION DES ATTACHES DE STABILISATION

Cette procédure requiert au moins deux personnes. Si vous désirez installer la machine à glaçons de façon autoportante plutôt qu'encadrée, il est nécessaire de fixer les deux attaches de métal que vous trouverez dans le compartiment d'emmagasinement. En gardant l'appareil penché sur le côté droit, mais pas à plus de 45°, fixez l'une des attaches au centre en dessous de l'appareil à l'aide de deux vis (fournies). Voir l'illustration ci-dessous. Replacez l'appareil sur ses quatre pattes, puis penchez-le vers l'avant pour visser la seconde attache sous l'appareil vis-à-vis de la première attache. Mettez la machine à glaçons de niveau. Cette procédure assurera la stabilité de l'appareil lorsqu'il fonctionne de façon autoportante.



EXIGENCES RELATIVES À L'EMPLACEMENT

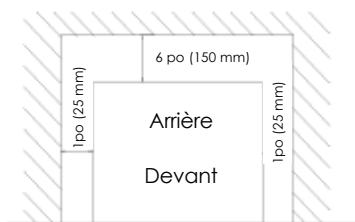
Cette machine à glaçons doit être installée par du personnel qualifié.

NOTE : CONSIGNES DE SÉCURITÉ IMPORTANTES

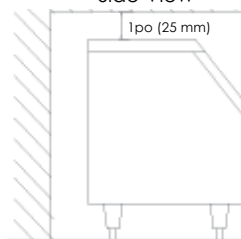
1. Avant d'installer la machine à glaçons dans un caisson, branchez l'alimentation d'eau correctement. Détachez le tuyau d'écoulement, insérez-le dans le drain, puis branchez le cordon d'alimentation.
2. Ne coinciez pas et ne pliez pas le cordon d'alimentation entre la machine à glaçons et le mur ou le caisson.

Dégagement requis pour l'installation

Top View



Side View



- Afin d'assurer une ventilation adéquate pour votre machine à glaçons, l'avant de l'appareil doit être complètement dégagé.
- Lorsque vous installez la machine à glaçons sous un comptoir, suivez les recommandations indiquées relatives au dégagement. Assurez-vous de laisser au moins 6 po (150 mm) de dégagement à l'arrière et 1 po (25 mm) sur les côtés et au-dessus de l'appareil pour permettre une bonne circulation de l'air. L'installation doit permettre l'avancement de l'appareil pour des fins d'entretien si nécessaire.
- Choisissez une zone bien aérée, avec des températures au-dessus de 50 °F (10 °C) et en dessous de 100 °F (38 °C). Cet appareil DOIT être installé dans un endroit à l'abri des éléments comme le vent, la pluie, l'eau pulvérisée et les gouttes d'eau.
- L'appareil ne doit pas se trouver près d'un four, d'un grill ou d'une autre source de chaleur.
- L'installation de la machine à glaçons nécessite une entrée d'alimentation en eau froide de 3/8 po (9,5 mm) et un tube de cuivre souple avec une vanne d'arrêt.
- La machine à glaçons nécessite une alimentation continue en eau avec une pression minimale de 15 psi et une pression statique ne dépassant pas 80 psi. La température de l'eau doit se situer entre 41 °F et 90 °F (entre 5 °C et 32 °C) afin d'assurer un bon fonctionnement.

Installation de la machine à glaçons

⚠ WARNING

La température ambiante doit se situer entre 50 °F et 100 °F (entre 10 °C et 38 °C). La température normale de l'eau doit se situer entre 41 °F et 90 °F (entre 5 °C et 32 °C). L'utilisation prolongée de la machine à glaçons dans des conditions qui ne respectent pas ces plages de températures peut modifier la capacité de production.

- **IL EST FORTEMENT RECOMMANDÉ D'UTILISER UN FILTRE À EAU. S'IL EST DU BON TYPE, UN FILTRE PEUT ÉLIMINER LE GOÛT, LES ODEURS ET LES PARTICULES EN PLUS DE PROLONGER LA DURÉE DE VIE DE LA MACHINE.**
- Tous les raccordements électriques et les raccordements d'eau de la machine à glaçons doivent être installés en conformité avec les codes locaux et nationaux.
- L'appareil doit être situé sur une surface solide et plane. Il est important de mettre la machine à glaçons parfaitement de niveau pour assurer un bon fonctionnement. Au besoin, ajustez la hauteur de l'appareil en vissant ou dévissant les pattes.
Consultez la section sur le nivellement de la machine à glaçons.

EXIGENCES RELATIVES À L'INSTALLATION ÉLECTRIQUE

⚠ DANGER ⚠



Branchez l'appareil dans une prise avec mise à la terre.
Ne jamais enlever la branche de mise à la terre.
Ne jamais utiliser un adaptateur.
Ne jamais utiliser une rallonge électrique.
Le non-respect de ces directives de sécurité peut causer un incendie, une électrocution ou même la mort.

Avant de placer la machine à glaçons dans son emplacement final, assurez-vous d'avoir la connexion électrique appropriée. Une alimentation électrique standard (220-240 VAC, 50 Hz, 15 A) est requise et doit être mise à la terre en conformité avec le Code national de l'électricité et les codes locaux. La machine à glaçons doit toujours être branchée dans sa propre prise de courant. Il est recommandé qu'un circuit électrique séparé soit utilisé uniquement pour votre machine à glaçons. Utilisez des prises qui ne peuvent pas être mises hors tension par un commutateur ou un interrupteur à tirage. Le fusible (ou le disjoncteur) doit être de 15 ampères.

Méthode de mise à la terre recommandée

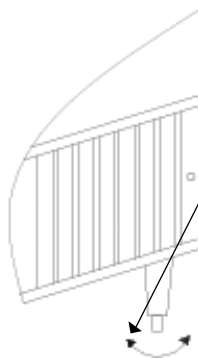
Pour votre propre sécurité, cet appareil doit être mis à la terre. Il est muni d'un cordon d'alimentation avec mise à la terre. Afin de minimiser les risques d'électrocution, le cordon d'alimentation doit être branché dans une prise de courant murale avec mise à la terre, conformément au Code national de l'électricité et des codes locaux. En l'absence d'une prise murale avec mise à la terre, il est de la responsabilité du client de s'en procurer une et de la faire installer par un électricien qualifié.

Renseignements relatifs à l'installation

NIVELLEMENT DE LA MACHINE À GLAÇONS

Une fois que la machine à glaçons est placée, si sa base n'est pas de niveau, vous pouvez ajuster les pattes en tournant le sous-bloc (voir ci-dessous) jusqu'à ce qu'elle soit de niveau.

Il est important que la machine à glaçons soit de niveau, car autrement l'eau pourrait ne pas bien circuler dans l'évaporateur (le moule à glaçons). La production de glace sera plus basse qu'à l'habituelle, et l'appareil sera bruyant.



Sous-bloc

Tourner le sous-bloc dans le sens inverse des aiguilles d'une montre abaisse l'appareil.

Tourner le sous-bloc dans le sens des aiguilles d'une montre élève l'appareil.

Ajustez la hauteur du sous-bloc de la patte de nivellement en le tournant vers la droite (sens inverse des aiguilles d'une montre) pour baisser ce côté de l'appareil. Tournez le sous-bloc vers la gauche (sens des aiguilles d'une montre) pour soulever ce côté de l'appareil.

Alimentation en eau

L'alimentation en eau devrait être prête au moment de l'installation. La pression de l'alimentation en eau doit être d'un minimum de 15 psi avec une pression statique ne dépassant pas 80 psi. (Une prise de courant murale disponible directement à l'arrière de la machine à glaçons facilitera l'installation.) Nous recommandons fortement d'utiliser un filtre à eau. S'il est du bon type, un filtre peut éliminer le goût, les odeurs et les particules en plus de prolonger la durée de vie de la machine.

IMPORTANT :

1. Toutes les installations doivent être conformes aux exigences du Code de plomberie local. L'installation par un professionnel est recommandée.
2. Raccord de l'entrée d'eau : 3/8 po (9,5 mm) (filetage de tube femelle [FPT]); Raccord du tuyau de drainage 1/2 po (1,3 cm) FPT.
3. Assurez-vous d'avoir un tuyau d'alimentation en eau et deux tuyaux de drainage, et que les tuyaux ne sont pas coincés, pliés ou endommagés lors de l'installation.
4. Après avoir branché l'appareil, vérifiez qu'il n'y a pas de fuites.

Outils requis : clé à fourche 3/8 po, tournevis cruciforme

Raccordement de la conduite d'eau :

1. Coupez l'alimentation principale en eau.
2. Trouvez une conduite d'alimentation en eau près de l'emplacement choisi pour l'installation. La distance doit être inférieure à la longueur du tuyau d'alimentation en eau.
3. Une vanne d'arrêt doit être installée à la conduite d'eau principale.
4. Connectez le tuyau d'alimentation en eau au robinet et à la valve d'entrée d'eau. Serrez fermement à la main, puis faites un demi-tour avec une clé.
5. Connectez l'un des tuyaux d'évacuation d'eau au raccord du drain de la machine à glaçons. Serrez fermement à la main, puis faites un demi-tour avec une clé.
6. Connectez l'autre tuyau d'évacuation d'eau au raccord du drain du compartiment d'emmagasinement pour glaçons. Serrez fermement à la main, puis faites un demi-tour avec une clé.
7. Ouvrez l'alimentation en eau principale et le robinet. Assurez-vous qu'il n'y a pas de fuites. Serrez tous les raccords (y compris les raccords de la valve d'entrée d'eau)."

NOTE : Si vous utilisez un filtre à eau, assurez-vous de suivre les instructions du fabricant.

Renseignements relatifs à l'installation

TYPES D'INSTALLATION

Cette machine à glaçons a été conçue pour être encastrée (sous un comptoir, par exemple). Il est également possible de l'installer de façon autoportante (en utilisant les attaches de stabilisation fournies) ou vissée au sol. Dans tous les cas, l'espace libre autour de l'appareil doit être adéquat pour permettre une bonne ventilation.

Installation encastrée :

Vous pouvez installer la machine à glaçons dans un endroit fermé, comme sous un comptoir ou dans une armoire de cuisine, à condition que l'espace libre requis autour de l'appareil soit respecté. Veuillez suivre les instructions indiquées pour :

- a. Exigences relatives à l'installation électrique
- b. Alimentation en eau

Installation autoportante :

Vous pouvez installer la machine à glaçons de façon autoportante où vous le désirez à condition d'avoir une alimentation en eau. Cette installation a les mêmes exigences qu'une installation encastrée, et vous devez en plus suivre les instructions d'installation des attaches de stabilité.

Installation au plancher :

Si cette méthode d'installation est choisie, vous aurez tout de même besoin d'un espace d'aération adéquat autour de l'appareil. Les éléments suivants doivent également être respectés.

1. Placez la machine à glaçons devant l'emplacement choisi. Soulevez l'appareil et placez-le sur le plancher ou sur une plateforme, selon les besoins de l'installation.
2. L'alimentation en eau doit être installée avant de pouvoir y brancher la machine à glaçons.
3. Ouvrez l'alimentation en eau principale et le robinet. Assurez-vous qu'il n'y a pas de fuite de branchement. Serrez tous les branchements (y compris les branchements à l'entrée d'eau de l'appareil).
4. Si la prise électrique de la machine à glaçons est située derrière le caisson, branchez-y l'appareil.
5. Poussez la machine à glaçons en place.
6. Scellez tout le contour du caisson avec un matériau de calfeutrage approuvé.

REMPACEMENT DE L'AMPOULE

1. Pour remplacer l'ampoule électrique supérieure : Desserrez les vis au bas du panneau supérieur, faites pivoter le panneau vers le haut jusqu'à ce qu'il soit maintenu par la partie supérieure de l'appareil, puis remplacez l'ampoule.
2. Pour remplacer l'ampoule DEL : Retirez le couvercle, puis remplacez l'ampoule DEL.

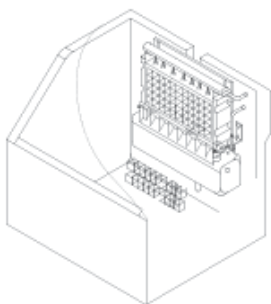
Fonctionnement

LISTE DE VÉRIFICATION FINALE AVANT LA MISE EN FONCTION

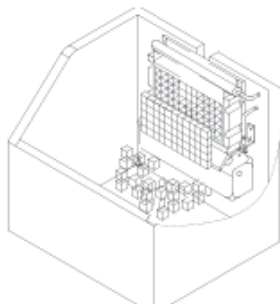
1. Avez-vous retiré tous les matériaux d'emballage et le ruban adhésif de l'intérieur et de l'extérieur de l'appareil?
2. Avez-vous nettoyé le compartiment d'emmagasinage pour glaçons?
3. Avez-vous respecté les instructions d'installation, y compris celles concernant le raccordement électrique et l'alimentation en eau?
4. Avez-vous mis l'appareil de niveau?
5. Est-ce que la machine à glaçons est située dans un endroit où la température ambiante se situe entre 50 °F et 100 °F (entre 10 °C et 38 °C) et est-ce que la température de l'eau est entre 41 °F et 90 °F (entre 5 °C et 32 °C) en tout temps?
6. Avez-vous vérifié que la pression de l'alimentation en eau est d'un minimum de 15 psi avec une pression statique ne dépassant pas 80 psi?
7. Vous êtes-vous assuré d'avoir un dégagement d'au moins 6 po (150 mm) à l'arrière de l'appareil, de 1 po (25 mm) au-dessus et sur les côtés afin permettre une bonne ventilation?
8. Est-ce que la tension de l'alimentation électrique a été vérifiée et testée afin de vous assurer qu'elle est conforme aux indications sur la plaque signalétique? Est-ce qu'une mise à la terre conforme a été installée pour la machine à glaçons?
9. Est-ce que la machine à glaçons est branchée?
10. Est-ce que l'alimentation en eau et le robinet sont ouverts?
11. Avez-vous vérifié qu'aucun des tuyaux d'alimentation en eau ne présente de fuite?

MÉTHODES DE FONCTIONNEMENT

1. Ouvrez le robinet : l'eau entrera dans le réservoir d'eau. Mettez en marche le commutateur : l'indicateur du commutateur ainsi que les trois autres indicateurs du tableau de commande s'allumeront.
2. Après 3 minutes, la machine à glaçons passera automatiquement à l'étape de la fabrication des glaçons, et vous entendrez le son de l'eau qui coule. Seulement l'indicateur rouge et le vert DEL seront allumés.
3. Lorsqu'un lot de glaçons sera prêt, il sera transféré automatiquement dans le compartiment d'emmagasinage pour glaçons. L'indicateur jaune DEL de récolte et l'indicateur de mise en fonction seront allumés et les deux autres indicateurs seront éteints.
4. Lorsque le compartiment d'emmagasinage pour glaçons sera plein, le lot de glaçons ne sera pas complètement transféré, et le rideau d'eau s'ouvrira. Le commutateur miniature sera maintenu ouvert, et l'appareil sera en mode « compartiment plein » et l'indicateur rouge DEL et celui de mise en fonction seront allumés. Les deux autres indicateurs seront éteints.
5. L'appareil commencera automatiquement à faire des glaçons 3 minutes après que les glaçons soient retirés du compartiment d'emmagasinage. À ce moment, le rideau d'eau basculera vers l'arrière et maintiendra le commutateur miniature en position de fonctionnement.



Étape de la fabrication des glaçons



Étape de la récolte des glaçons

IMPORTANT :

- Bien que l'appareil ait été testé en usine, en raison de la longue durée de transit et d'entreposage, les premiers glaçons doivent être jetés.
- Ne jamais fermer la conduite d'alimentation en eau lorsque l'appareil est en fonction.
- Ne jamais toucher à l'évaporateur lorsque l'appareil fonctionne.
- Afin de ne pas faire fondre les glaçons et de favoriser leur fabrication, veillez à garder la porte fermée, sauf lors de l'approvisionnement.

Fonctionnement

MÉTHODES DE FABRICATION DES GLAÇONS

Lorsque le commutateur est activé, l'appareil est en mode attente. Après environ 3 minutes, l'appareil passera automatiquement à l'étape de la fabrication des glaçons.

Il y a deux cycles distincts: la fabrication et la récolte. Au cours du cycle de congélation, l'eau coule sur la surface de l'évaporateur. Lors du cycle de la récolte, les glaçons sont relâchés et l'eau pénètre dans l'appareil. Un cycle complet dure entre 15 et 40 minutes, selon la température et les conditions ambiantes.

Congélation : Pendant le cycle de congélation, le compresseur pompe du fluide frigorigène, le moteur du ventilateur souffle de l'air et la pompe à eau fait circuler l'eau. Lorsqu'un lot de glaçons est prêt, le cycle de congélation s'arrête et le cycle de récolte débute.

Récolte : Pendant le cycle de la récolte, le compresseur fonctionne toujours et du courant est envoyé vers le robinet d'évacuation d'eau et la valve gaz chauds. La valve d'évacuation d'eau s'ouvre et permet à la pompe d'évacuer l'eau du réservoir afin d'éliminer toutes les impuretés et les dépôts. Cela permet à l'appareil de fabriquer des glaçons clairs et de garder l'accumulation de minéraux à un minimum. Ensuite, la pompe s'arrêtera. Lorsque la valve à gaz chauds est ouverte, les gaz chauds vont directement à l'évaporateur et le réchauffent, faisant ainsi glisser les glaçons hors de l'évaporateur et dans le compartiment d'emmagasinement. Le cycle de congélation recommence lorsque les glaçons tombent dans le compartiment.

UTILISATION DE L'EAU PAR L'APPAREIL :

La machine à glaçons commence par utiliser une quantité fixe d'eau du réservoir de l'appareil. L'eau coule ensuite sur la surface de l'évaporateur de congélation, puis gèle et adhère aux moules à glaçons. Pendant le processus de fabrication des glaçons, l'eau fraîche entre continuellement dans le réservoir d'eau au fur et à mesure que l'eau du réservoir gèle sur la surface de l'évaporateur.

BRUITS NORMAUX

Votre nouvelle machine à glaçons peut faire des sons avec lesquels vous n'êtes pas familiers. La plupart de ces nouveaux sons sont normaux. Les surfaces dures comme le plancher et les murs peuvent amplifier les sons. Les points suivants décrivent les types de sons qui pourraient être nouveaux pour vous et en indiquent la cause.

- Des bruits de claquements peuvent provenir de l'écoulement du fluide frigorigène ou de la ligne d'eau. Les articles déposés sur le dessus de la machine à glaçons peuvent aussi causer du bruit.
- Le compresseur à haute efficacité peut émettre un son aigu ou un son de pulsation.
- L'eau courante peut faire un bruit de cascade.
- Vous pouvez entendre l'air être poussé sur le condenseur par le ventilateur du condenseur.
- Pendant le cycle de récolte, vous pouvez entendre le bruit des glaçons qui tombent dans le compartiment d'emmagasinement de glaçons.

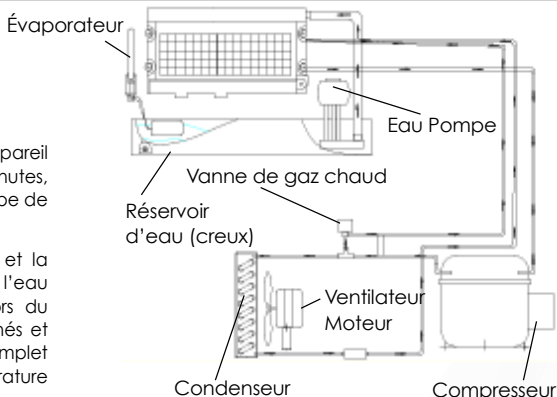
PRÉPARATION DE LA MACHINE À GLAÇONS POUR L'ENTREPOSAGE

Si vous envisagez de ne pas utiliser la machine à glaçons pendant une période prolongée, ou si elle doit être déplacée, vous devrez évacuer l'eau du système.

1. Coupez l'alimentation en eau à la source d'eau principale.
2. Débranchez le tuyau d'alimentation en eau de l'entrée d'eau.
3. Coupez l'alimentation électrique à la source principale.
4. Dévissez la vis-écrou du réservoir d'eau et évacuez complètement l'eau, puis revissez la vis-écrou lorsque vous avez terminé.
5. Retirez tous les glaçons du compartiment d'emmagasinement, puis asséchez le compartiment.
6. Gardez la porte ouverte pour permettre la ventilation et éviter la moisissure.
7. Laissez le tuyau d'alimentation en eau et le cordon d'alimentation débranchés jusqu'à la prochaine utilisation.

IMPORTANT :

- Ne pas toucher la fiche d'alimentation lorsque vous avez les mains mouillées.
- Ne jamais débrancher l'appareil en tirant sur le cordon d'alimentation.



Nettoyage et entretien

CAUTION

Si vous envisagez de ne pas utiliser la machine à glaçons pendant une période prolongée, veuillez la nettoyer soigneusement avant la prochaine utilisation. Suivez attentivement les instructions fournies au sujet du nettoyage et de l'utilisation de produits désinfectants. Ne laissez pas de produit à l'intérieur de l'appareil après le nettoyage.

Un nettoyage périodique et un bon entretien assureront l'efficacité, le haut rendement et la durée de vie prolongée de votre appareil. Les intervalles d'entretien énumérés dans ce manuel sont basés sur des conditions normales. Vous pouvez réduire les intervalles si vous possédez des animaux ou en cas de considérations spéciales.

À NE PAS FAIRE

Ne rien laisser dans le compartiment d'emmagasinement autre que des glaçons : les objets comme les bouteilles de vin et de bière sont non seulement insalubres, mais les étiquettes peuvent glisser et bloquer le drain.

À TENIR PROPRE

Veuillez à tenir propres ces quatre éléments :

1. L'extérieur
2. L'intérieur
3. Le tuyau d'alimentation d'eau
4. Le système de fabrication de glaçons

⚠ WARNING

Avant de procéder au nettoyage et à l'entretien de l'appareil, assurez-vous que le cordon d'alimentation est débranché et que la conduite d'eau est fermée. (EXCEPTION : Le nettoyage du système de fabrication de glaçons)

NETTOYAGE DE L'EXTÉRIEUR DE L'APPAREIL

L'extérieur et la porte de la machine à glaçons peuvent être nettoyés avec un produit nettoyant doux et de l'eau tiède, par exemple 1 oz de savon à vaisselle dans 2 gallons (7,5 litres) d'eau tiède. Ne jamais utiliser de produits de nettoyage à base de solvants ou d'abrasifs. Utilisez un chiffon doux et rincez à l'eau propre. Assécher avec une serviette propre pour éviter les taches d'eau. Nettoyez l'acier inoxydable avec un chiffon trempé dans une solution d'eau tiède et de produit nettoyant doux. Ne jamais utiliser de produits nettoyants abrasifs.

NETTOYAGE DE L'INTÉRIEUR DE L'APPAREIL

Le compartiment d'emmagasinement devrait être désinfecté de temps à autre. Nettoyez le réservoir d'eau avant la première utilisation de la machine à glaçons ou avant de la réutiliser après un entreposage prolongé. Il est généralement facile de désinfecter le réservoir après que le système de fabrication de glaçons a été nettoyé et que le compartiment d'emmagasinement de glaçons a été vidé.

1. Débranchez l'appareil.
2. Ouvrez la porte. Vous verrez la vis-écrou du réservoir d'eau sur le côté avant droit du réservoir. Dévissez la vis-écrou et évacuez complètement l'eau dans le compartiment d'emmagasinement des glaçons. L'eau s'évacue de l'appareil par l'orifice du drain d'évacuation.
NOTE : N'oubliez pas de revisser l'écrou en place.
3. À l'aide d'une solution désinfectante faite de 1 oz d'eau de Javel et de 2 litres d'eau chaude (entre 95 °F et 115 °F [35 °C et 43 °C]), asséchez le réservoir d'eau et l'intérieur du compartiment d'emmagasinement pour glaçons avec un chiffon propre. Pour atteindre les coins difficiles d'accès, appliquez la solution désinfectante à l'aide d'une bouteille à pulvérisation.
4. Rincez abondamment à l'eau claire. Le nettoyage de l'intérieur de l'appareil est maintenant terminé.
5. Rebranchez l'appareil.

La pelle à glace devrait être nettoyée régulièrement. Veuillez nettoyer comme tout autre récipient de nourriture.

Nettoyage et entretien

WARNING

NE PAS utiliser de produits de nettoyage à base de solvants ou d'abrasifs sur la surface intérieure. Ces nettoyants peuvent transmettre un arrière-goût aux glaçons et endommager ou décolorer l'intérieur de l'appareil.

NETTOYAGE DU TUYAU D'ALIMENTATION EN EAU

Si vous constatez que les glaçons ne sont pas complètement formés ou que la quantité de glaçons est faible, c'est peut-être que le tuyau d'alimentation en eau est obstrué. Éteignez l'appareil au moyen du commutateur. Dévissez les six vis qui retiennent le panneau supérieur, puis enlevez le panneau. Vous aurez accès au tuyau d'alimentation en eau. Tournez le tuyau de sorte que les trous soient tournés vers le haut. En utilisant un cure-dent ou un outil similaire, nettoyez les trous, puis replacez le tuyau dans sa position d'origine. Si le tuyau est sévèrement bloqué, voici la procédure à suivre :

1. Fermez l'alimentation de courant et d'eau.
2. Débranchez le tuyau d'alimentation en eau du tuyau de distribution.
3. Levez un côté, puis retirez le tuyau de distribution.
4. À l'aide d'une brosse, nettoyez le tuyau avec une solution diluée d'eau tiède et de détergent doux comme du savon à vaisselle. Après avoir enlevé la poussière et la saleté de la surface, rincez le tuyau à l'eau claire.
5. Remettez le tuyau de distribution en place.
6. Rebranchez le tuyau d'alimentation en eau et l'alimentation électrique.
7. Remettez en place le panneau supérieur et le panneau avant.

NETTOYAGE DU SYSTÈME DE FABRICATION DE LA GLACE

Les minéraux qui sont retirés de l'eau pendant le processus de congélation finiront par former un dépôt dur dans le système d'alimentation d'eau. Un nettoyage régulier du système aide à éliminer l'accumulation des dépôts de minéraux. La fréquence à laquelle vous devez nettoyer l'appareil dépend de la dureté de votre eau et de l'efficacité de votre filtration. En présence d'eau dure de 15 à 20 grains/gallon (entre 4 et 5 grains/litre), vous pourriez devoir nettoyer votre système aussi souvent qu'à tous les trois mois.

1. Mettez l'appareil hors tension.
2. Retirez tous les glaçons du compartiment d'emmagasinement.
3. Gardez la machine à glaçons branchée à l'alimentation en eau. Versez 8 oz de nettoyant Nickel-Safe pour machine à glaçons dans le réservoir d'eau.
4. Allumez l'appareil. Dans les 3 minutes, appuyez sur le bouton de nettoyage. L'appareil passera automatiquement en mode nettoyage. Les indicateurs de fabrication de glaçons et de récolte clignoteront.
5. Le cycle de nettoyage de la machine à glaçons se poursuivra pendant 30 minutes, sauf si vous appuyez sur l'interrupteur d'alimentation. (Vous pouvez appuyer sur l'interrupteur pour arrêter le cycle de nettoyage à tout moment pendant les 30 minutes.) Après le nettoyage, l'indicateur jaune de récolte et le vert de fabrication de glaçons s'allumeront et l'appareil se mettra en mode attente.
6. L'eau souillée doit être complètement évacuée à l'extérieur de l'appareil. Suivez les étapes 2 et 3 de la section « Nettoyage de l'intérieur de l'appareil ».
7. Répétez les étapes 1 à 6 trois fois afin de bien rincer le système de fabrication des glaçons. NOTE : Ne pas ajouter de solution nettoyante pour machine à glaçons dans le réservoir d'eau pendant le rinçage.
8. Si vous voulez préparer des glaçons après le nettoyage, mettez l'appareil hors tension, puis rallumez-le. Le prochain cycle de fabrication de glaçons commencera.
9. Jetez le premier lot de glaçons.

Nettoyage et entretien

Désinfection du système de fabrication de glaçons

1. Mettez l'appareil hors tension.
2. Retirez tous les glaçons du compartiment d'emmagasinement.
3. Préparez une solution désinfectante faite de 1 oz d'eau de Javel et de 1 gallon (3,78 litres) d'eau chaude.
4. Gardez la machine à glaçons branchée à l'alimentation en eau. Remplissez le réservoir d'eau de la solution désinfectante.
5. Allumez l'appareil. Dans les 3 minutes, appuyez sur le bouton de nettoyage. L'appareil passera automatiquement en mode nettoyage. L'indicateur jaune de récolte et le rouge indiquant que le compartiment d'emmagasinement est plein clignoteront.
6. Le cycle de nettoyage de la machine à glaçons se poursuivra pendant 30 minutes, sauf si vous appuyez sur l'interrupteur d'alimentation. (Vous pouvez appuyer sur l'interrupteur pour arrêter le cycle de nettoyage à tout moment pendant les 30 minutes.) Après le nettoyage, l'indicateur jaune de récolte et le vert de fabrication de glaçons s'allumeront et l'appareil se mettra en mode attente.
7. L'eau souillée doit être complètement évacuée à l'extérieur de l'appareil. Suivez les étapes 2 et 3 de la section « Nettoyage de l'intérieur de l'appareil ».
8. Répétez les étapes 4 à 7 trois fois avec de l'eau douce afin de bien rincer le système de fabrication des glaçons. NOTE : Ne pas ajouter de solution nettoyante ou désinfectante pour machine à glaçons dans le réservoir d'eau pendant le rinçage.
9. Si vous voulez préparer des glaçons après le nettoyage, mettez l'appareil hors tension, évacuez les eaux usées, puis rallumez-le. Le prochain cycle de fabrication de glaçons commencera.
10. Jetez le premier lot de glaçons.

⚠ WARNING

Le nettoyant pour machine à glaçons contient des acides. NE PAS utiliser ou mélanger avec d'autres produits nettoyants à base de solvants. Utilisez des gants de caoutchouc pour protéger vos mains. Lisez attentivement les consignes de sécurité affichées sur la bouteille du produit de nettoyage pour la machine à glaçons. JETEZ le premier lot de glaçons après le nettoyage.

Tableau de commande (sur le côté gauche de l'appareil)

Poussez sur le panneau du tableau de commande pour y avoir accès. Ce tableau de commande comprend un commutateur, deux touches ainsi que quatre voyants indicateurs.

FONCTIONNEMENT DU TABLEAU DE COMMANDE :

1. Lorsque l'appareil est branché et que le commutateur est activé, le voyant d'alimentation et les trois autres voyants sont activés.
2. Après 3 minutes, la machine à glaçons passera automatiquement à l'étape de fabrication de glaçons. Seuls les voyants de l'alimentation électrique et de fabrication seront activés.
3. Pendant la récolte, la lumière de l'indicateur sera activée, et celui de la fabrication de glaçons sera désactivé. Lorsque le compartiment d'emmagasinement pour glaçons sera plein, seul le voyant d'alimentation sera activé.
4. Si vous appuyez sur la touche de nettoyage pendant la fabrication des glaçons, l'appareil ignorera cette commande. La fabrication de glaçons continuera.
5. Avant de nettoyer l'appareil, désactivez le commutateur, puis réactivez-le. Appuyez sur la touche de nettoyage dans un délai de trois minutes, et la machine à glaçons procédera au nettoyage. Après 30 minutes, le cycle de récolte et de fabrication s'activera. Si vous désirez relancer le cycle de fabrication de la glace après le nettoyage, désactivez le commutateur, puis activez-le de nouveau. L'appareil se mettra automatiquement en mode de fabrication.
6. Si vous désirez interrompre le cycle de nettoyage avant la fin, n'appuyez pas sur la touche de nettoyage à nouveau. Veuillez désactiver le commutateur. Le cycle de nettoyage sera interrompu.

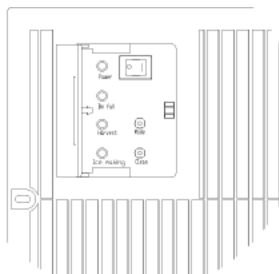


Tableau de commande (sur le côté inférieur gauche de l'avant de l'appareil)

- Si l'appareil est mis en fonction, mais que seulement la lumière de l'alimentation de courant s'illumine, c'est peut-être parce qu'il n'y a pas assez d'eau qui atteint le système, que la pompe à eau ne fonctionne pas, ou autres problèmes semblables. Vérifiez le niveau de l'eau dans le réservoir, puis vérifiez la pompe à eau, etc.
- Si l'appareil est branché, mais qu'aucun voyant ne s'allume lorsque le commutateur est activé, le fusible du tableau de commande a peut-être besoin d'être remplacé.

DESCRIPTION DES VOYANTS DEL ET DES TOUCHES :

- 1. Le compartiment d'emmagasinement de glaçons est plein (indicateur DEL rouge):** Lorsque cet indicateur est activé, le compartiment d'emmagasinement de glaçons est plein ou il y a quelque chose qui obstrue le capteur. L'appareil cessera de fonctionner. Lorsque les glaçons sont retirés du compartiment d'emmagasinement, le capteur sera dégagé et l'indicateur DEL rouge clignotera pendant 3 minutes. Ensuite, l'appareil redémarrera et retournera en mode de fabrication de glaçons.
- 2. Fabrication de glaçons (indicateur DEL vert):** Lorsque cet indicateur est activé, l'appareil est en mode de fabrication de glaçons. Lorsque l'indicateur DEL vert clignote, l'appareil est près de la fin du mode de fabrication de glaçons.
- 3. Récolte des glaçons (indicateur DEL jaune):** Lorsque cet indicateur est activé, l'appareil contrôlé par un capteur se met en mode récolte.
- 4. Mise en fonction (indicateur DEL blanc):** L'indicateur de mise en fonction du panneau de contrôle. Cet indicateur sera activé seulement lorsque le commutateur principal sera activé.
- 5. Touche de sélection du mode :** Cette touche est principalement utilisée pour l'entretien de l'appareil. Lorsque vous appuyez sur cette touche, le mode de fabrication des glaçons change pour le mode de récolte des glaçons ou vice versa. Le mode en fonction est indiqué par l'indicateur DEL vert ou jaune.
- 6. Touche de nettoyage:** Si vous appuyez sur la touche de nettoyage dans un délai de 3 minutes suivant la mise en fonction de l'appareil, la machine à glaçons se mettra en mode nettoyage. Si vous appuyez sur la touche nettoyage pendant plus de 6 secondes, l'appareil se mettra en mode d'évacuation. L'indicateur DEL rouge et le jaune clignoteront simultanément.

GUIDE DE RÉGLAGE DE LA TAILLE DES GLAÇONS :

- Appuyez simultanément sur les boutons de nettoyage et de sélection du mode pendant au moins trois secondes. L'appareil passera en mode de réglage de la taille des glaçons. Le voyant DEL vert (glace) clignotera continuellement pendant le réglage.
- En mode de réglage de la taille des glaçons, appuyez sur les touches de nettoyage ou de sélection du mode pour atteindre la taille désirée.

RAPETISSER :

En appuyant sur la touche de nettoyage, vous pouvez rapetisser la taille des glaçons. Le voyant DEL rouge (plein) clignotera chaque fois que vous rapetisserez la taille des glaçons, puis clignotera lorsque vous atteindrez le réglage le plus bas.

GROSSIR :

En appuyant sur la touche de sélection du mode, vous pouvez agrandir la taille des glaçons. Le voyant DEL jaune (récolte) clignotera chaque fois que vous grossirez la taille des glaçons, puis clignotera lorsque vous atteindrez le réglage le plus haut. Après dix secondes, l'appareil conservera automatiquement en mémoire la taille sélectionnée et retournera au mode précédent.

NOTE :

- Si, lors du réglage de la taille des glaçons, les voyants DEL jaune, blanc et rouge clignent tous en même temps, cela signifie que l'appareil est réglé à la taille par défaut (taille moyenne).
- Si l'appareil est en phase de nettoyage ou que le compartiment d'emmagasinement pour glaçons est plein, vous ne pourrez pas accéder au mode de réglage de la taille.

IMPORTANT :

- Évitez de laisser de l'eau entrer en contact avec le module de commande.

Dépannage

AVANT D'APPELER POUR UN ENTRETIEN

Si l'appareil semble mal fonctionner, lisez d'abord attentivement la section FONCTIONNEMENT de ce manuel. Si le problème persiste, consultez le guide de dépannage à la page suivante. Le problème peut être très simple à résoudre sans que vous deviez avoir recours à notre équipe d'entretien.

Guide de dépannage

PROBLÈME	CAUSE POSSIBLE	SOLUTION POSSIBLE
L'appareil ne fonctionne pas.	L'appareil est débranché.	Branchez l'appareil.
	Le fusible a sauté.	Remplacez le fusible. Si le problème se reproduit, communiquez avec nous pour un entretien afin de vérifier qu'il n'y a pas de court circuit dans l'appareil.
	Le commutateur est en position d'arrêt.	Activez le commutateur de l'appareil.
	Le compartiment d'emmagasinage pour les glaçons est plein.	Retirez un peu de glace. Assurez-vous que le capteur qui indique si le compartiment d'emmagasinage est plein ne soit pas obstrué.
L'eau n'entre pas dans l'appareil après que celui-ci est mis en marche.	L'alimentation en eau est coupée.	Ouvrez l'alimentation de la conduite d'eau.
	Le tuyau d'alimentation en eau n'est pas bien branché.	Rebranchez le tuyau d'alimentation d'eau.
L'appareil fabrique des glaçons, mais le compartiment d'emmagasinage ne se remplit pas.	Le condenseur est peut-être sale.	Nettoyez le condenseur.
	La circulation de l'air autour de l'appareil peut être obstruée.	Vérifiez l'installation.
	La température de l'eau ou de l'air ambiant est élevée, ou l'appareil est près d'une source de chaleur.	Vérifiez l'installation.
De l'eau s'écoule de l'appareil.	De l'eau tombe sur le sol lorsque vous ouvrez la porte du compartiment d'emmagasinage pour glaçons.	Cela provient de la condensation normale de la porte ou de l'eau sur la glace. Faites preuve de précaution lorsque vous sortez la glace du compartiment.
	Le joint d'alimentation de l'eau coule.	Resserrez le joint. Consultez la section « Raccordement de la conduite d'eau ».
Les glaçons ne sont pas complètement formés ou une partie de ceux-ci est blanche.	Il n'y a pas suffisamment d'eau dans la gouttière.	Vérifiez que la pression de l'alimentation en eau est en deçà de 15 psi.
		Vérifiez l'alimentation d'eau, le filtre est peut-être obstrué.
		Vérifiez si le réservoir d'eau coule.
Le fonctionnement de l'appareil est bruyant.	Il y a une panne d'électricité.	Consultez la section « Mettre l'appareil de niveau ».
	La température ambiante n'est pas dans la marge recommandée.	Consultez la section sur les bruits normaux.
L'appareil s'arrête soudainement pendant qu'il fabrique de la glace.	Le câble de mise à la terre n'est pas branché à une prise de terre.	Rebranchez le cordon d'alimentation.
	L'eau est trop dure (une trop forte proportion de minéraux est présente dans l'eau).	Retirez l'électricité, laissez l'appareil s'arrêter jusqu'à ce que la température soit revenue dans la marge recommandée.
La surface de la machine à glaçons est électriflée.	Le gicleur est obstrué.	Veillez utiliser une prise qui respecte les normes requises.
Du tartre se forme souvent dans l'appareil.	The hardness of the water quality is too high.	Utilisez un appareil d'adoucissement de l'eau installé devant l'entrée d'eau.
Les glaçons ne sont pas complètement formés lorsqu'ils sont transférés dans le compartiment d'emmagasinage.	The sprinkler is blocked.	Nettoyez le capteur. Consultez la section « Nettoyage de l'intérieur de l'appareil »



NOTES:



CONTENIDO

SEGURIDAD DE LA MÁQUINA DE HIELO	38
MEDIDAS DE SEGURIDAD IMPORTANTES	39-40
INFORMACIÓN TÉCNICA	40
UBICACIÓN DE COMPONENTES	41
INSTALACIÓN DE LA MÁQUINA DE HIELO	42-46
Desempacar	42
Instalación de las patas ajustables	42
Instalación de los soportes estabilizadores	43
Requisitos de la ubicación	43-44
Requisitos eléctricos	44
Nivelado de la máquina de hielo	45
Suministro de agua	45
Tipos de instalación	46
OPERACIÓN	47-48
Lista de verificación final antes de la operación	47
Método de operación	47
Cómo la máquina hace el hielo	48
Sonidos normales	48
Preparación de la máquina de hielo para almacenamiento prolongado	48
LIMPIEZA Y MANTENIMIENTO	49-51
Limpieza exterior	49
Limpieza interior	49
Limpieza de la manguera de distribución del agua	50
Limpieza del sistema de elaboración del hielo	50
Higiene del sistema de elaboración del hielo	51
PANEL DE CONTROL	51-52
RESOLUCIÓN DE PROBLEMAS	52
GUIA PARA LA RESOLUCIÓN DE PROBLEMAS	53
NOTAS	54
INGLÉS	1-18
FRANCÉS	19-36
ESPAÑOL	37-54

Nos reservamos el derecho a efectuar cambios en las especificaciones y el diseño sin previo aviso.

Asegúrese de que la máquina de hielo haya estado en pie en posición vertical.

SEGURIDAD DE LA MÁQUINA DE HIELO

Hemos proporcionado muchos mensajes importantes de seguridad en este manual y en su aparato. Siempre lea y siga todos los mensajes de seguridad.



Este es el símbolo de alerta de seguridad. Este símbolo le alerta de peligros potenciales que pueden lesionar o causarle la muerte a usted o a otras personas. Todos los mensajes de seguridad siguen al símbolo de alerta de seguridad y a las leyendas "PELIGRO", "ADVERTENCIA" O "PRECAUCIÓN".

⚠ DANGER ⚠

PELIGRO significa que de no seguirse esta declaración de seguridad, puede ocasionarse la muerte o lesiones personales graves.

⚠ WARNING

ADVERTENCIA significa que de no seguirse esta declaración de seguridad, pueden ocasionarse daños de consideración al equipo, lesiones personales graves o la muerte.

CAUTION

PRECAUCIÓN significa que de no seguirse esta declaración de seguridad, puede ocasionarse lesiones personales menores o moderadas o daños al inmueble o al equipo.

Todos los mensajes de seguridad le alertarán del posible peligro, le dirán cómo reducir la probabilidad de sufrir lesiones, y le comunicarán lo que puede ocurrir si no se siguen las instrucciones.

NOTA: INSTRUCCIONES IMPORTANTES DE SEGURIDAD

ADVERTENCIA: Para reducir el riesgo de incendio, descarga eléctrica o lesiones, al usar su máquina de hielo, siga estas precauciones básicas:

- Conecte en una toma de corriente para clavijas de tres patas con tierra física.
- No retire la conexión de tierra
- No use un adaptador
- No se use con un cordón de extensión
- Desconecte de la alimentación eléctrica antes de limpiar
- Desconecte de la alimentación eléctrica antes de darle servicio
- Reemplace todos los paneles antes de poner en funcionamiento
- E movimiento y la instalación de la máquina de hielo deben hacerlo 2 personas.

CONSERVE ESTAS INSTRUCCIONES

MAXX ICE

MEDIDAS DE SEGURIDAD IMPORTANTES



Antes de usarse la máquina de hielo, debe ser colocada e instalada correctamente de la forma descrita en este manual, por lo que es importante leer atentamente el manual. Recomendamos ampliamente que la instalación de su nueva máquina la realice un profesional. La garantía puede verse afectada o invalidada debido a una instalación incorrecta. Para reducir el riesgo de incendio, descarga eléctrica o lesiones al usar su máquina de hielo, siga precauciones básicas, incluidas las siguientes:

DANGER

- Conecte en una toma de corriente para clavijas de tres patas con tierra física. No retire la conexión de tierra, no use un adaptador y no use con un cordón de extensión.
- Se recomienda usar un circuito separado, exclusivo para la máquina de hielo. Use receptáculos que no puedan apagarse por medio de un interruptor o una cadena de jalarse.
- No conecte ni desconecte el enchufe con las manos mojadas.
- Nunca jale el enchufe para desconectar la máquina de hielo. Siempre sujete el enchufe firmemente y jale en forma recta desde la toma de corriente.
- Nunca limpie la máquina de hielo con fluidos inflamables. No almacene o use gasolina u otros vapores y líquidos inflamables junto a este u otros aparatos. Los vapores pueden crear un peligro de incendio o de explosión.
- Antes de proceder con las operaciones de limpieza y mantenimiento, asegúrese de que la unidad esté desconectada de la alimentación de energía y que el suministro de agua esté cerrado. (EXCEPCIÓN: Al limpiar los sistemas de elaboración de hielo y del agua de la máquina.)
- Antes de poner en funcionamiento, ponga todos los paneles de cierre de regreso en sus lugares originales.
- No toque con la mano el evaporador cuando la máquina esté en operación.
- Desenchufe la máquina de hielo o desconecte la alimentación eléctrica antes de limpiar o de dar servicio. No hacerlo puede provocar una descarga eléctrica o la muerte.
- No intente reparar o reemplazar ninguna pieza de su máquina de hielo a menos que se recomiende específicamente en este manual. Un técnico calificado debe efectuar todo el demás trabajo de servicio.

WARNING

- El movimiento y la instalación de la máquina de hielo deben hacerlo 2 personas. No hacerlo puede provocar una lesión de espalda o de otro tipo.
- Para asegurar la ventilación adecuada para su máquina de hielo, la parte frontal de la unidad debe estar completamente despejada. Seleccione un área bien ventilada con temperaturas mayores a 50°F (10°C) y menores a 100°F (38°C). Esta unidad DEBE ser instalada en un área protegida de los elementos como lluvia, rocío de agua o goteos.
- La máquina de hielo no debe ser ubicada junto a hornos, parrillas u otras fuentes de calor intenso.
- La máquina de hielo debe ser instalada con todas las conexiones eléctricas según los códigos estatales y locales. Se requiere alimentación eléctrica estándar (200-240 VCA, 50 Hz, 15 A), con conexión adecuada a tierra según el Código Eléctrico Nacional y los códigos y reglamentos locales.
- No pliegue ni pellizque el cable de alimentación eléctrica o las líneas de drenaje entre la máquina de hielo y el gabinete..
- La capacidad del fusible (o del cortacircuitos) debe ser de 15 amperios.
- Es importante que la máquina de hielo se encuentre nivelada para funcionar correctamente. Es posible que necesite hacer varios ajustes para nivelarla.
- Aunque la unidad se ha probado en la fábrica, debido al tránsito y el almacenamiento prolongados, el primer lote de cubos debe desecharse.

- Si la máquina de hielo no se va a usar durante un largo tiempo, antes del siguiente uso debe ser lavada completamente. Siga cuidadosamente todas las instrucciones proporcionadas para la limpieza o el uso de solución desinfectante. No deje restos de la solución dentro de la máquina de hielo después de la limpieza.
- NO toque las aletas del condensador. Las aletas del condensador son cortantes y pueden dañarse fácilmente.
- NO use agentes de limpieza a base de solventes o abrasivos en el interior. Estos limpiadores pueden transmitir sabores a los cubos de hielo o dañar o decolorar el interior.
- El limpiador para la máquina de hielo contiene ácidos. NO use o mezcle con otros productos de limpieza a base de solventes. Use guantes de látex para protegerse las manos. Lea atentamente las instrucciones de seguridad material en el contenedor del limpiador de la máquina de hielo.
- No utilice este aparato para un uso distinto al que fue diseñado.

CONSERVE ESTAS INSTRUCCIONES

Conexión eléctrica

Por ningún motivo corte o retire la tercera pata (tierra) del enchufe. Por seguridad personal, este aparato debe tener conexión a tierra física. El cordón de este aparato está equipado con un enchufe tres patas con tierra física que encaja en una toma de corriente de tres orificios con tierra física para minimizar la posibilidad del peligro de descargas eléctricas provenientes del aparato. Haga que la toma de corriente y el circuito sean verificados por un electricista calificado para asegurarse de que la toma de corriente cuente con la conexión a tierra adecuada. Si se encuentra una toma de corriente estándar de dos orificios, es su responsabilidad y su obligación reemplazarla por una toma de corriente con tierra física de tres orificios.

La máquina de hielo siempre debe estar conectada en su toma de corriente exclusiva que debe tener un voltaje que coincida con el voltaje indicado en la etiqueta del aparato. De esta forma se ofrece el mejor desempeño y también se evita sobrecargar los circuitos de cableado del edificio que podría provocar un riesgo de incendio por el sobrecalentamiento de los cables. Nunca jale el enchufe para desconectar la máquina de hielo. Siempre sujete el enchufe firmemente y jale en forma recta desde la toma de corriente. Repare o reemplace inmediatamente cualquier cable de alimentación que se haya raído o dañado de cualquier forma. No use un cable que muestre fisuras o daño por abrasión en su longitud o en cualquier lado. Al mover la máquina de hielo, tenga cuidado de no dañar el cable eléctrico.

Cable de extensión

Debido al potencial peligro a la seguridad bajo ciertas condiciones, se recomienda ampliamente que no utilice un cable de extensión en esta máquina de hielo.

Información técnica

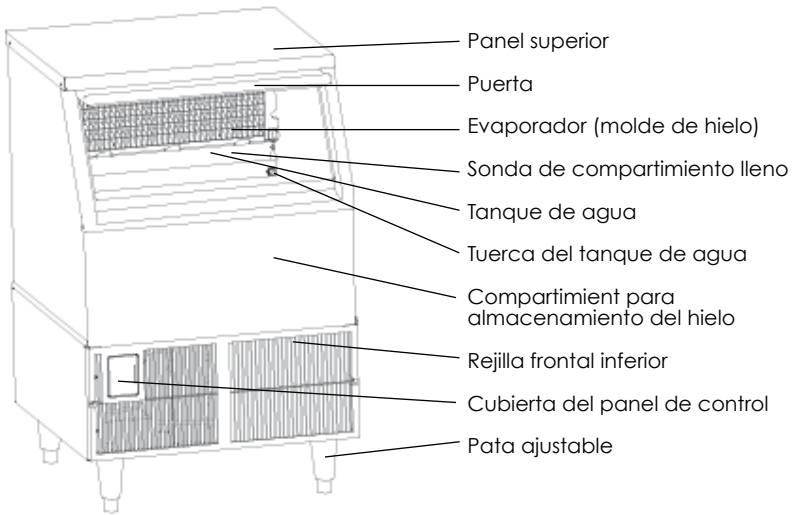
Modelo:	MIM250
Alimentación eléctrica:	115VAC ~ 60Hz
Consumo de energía:	9.55 kW·h /100 lb (45 kg) de hielo
Corriente nominal para fabricar/cosechar hielo	9.2A12A
Refrigerante:	R404a, 22.9 oz.
Presión lateral alta/baja:350psig/190psig
Ancho x profundidad x altura de la unidad:	24" x 24" x 39" (61 x 61 x 99 cm)
Peso de la unidad:	136 lb (62 kg) máximo
Capacidad de almacenamiento de hielo:75 lb (34 kg) máximo
Capacidad de fabricación de hielo:200 libras (91 kg)/día
Forma del hielo:	Cubo
Dimensiones del cubo de hielo:	1" x 1" x ¾" (2.5 x 2.5 x 2 cm)
Rango de la temperatura ambiente para operación óptima:50°F – 100 °F (10 - 38 ° C)
Rango de temperatura óptima del agua de alimentación:41°F – 90 °F (5-32 ° C)

*La cantidad real de la cantidad de hielo producido al día puede variar debido a las condiciones del ambiente y el agua. Los datos técnicos y el índice de desempeño listados anteriormente deben usarse únicamente como referencia. Están sujetos a cambios.

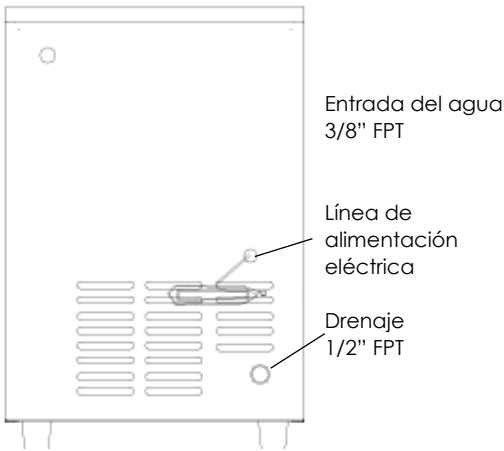


MAXX ICE

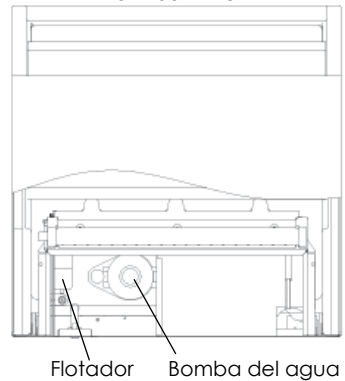
Información del componente



VISTA POSTERIOR



VISTA SUPERIOR



Soportes estabilizadores



Cucharón para el hielo

Instalación de la máquina de hielo

DESEMPACAR

WARNING

Peligro de peso excesivo

El movimiento y la instalación de la máquina de hielo deben hacerlo 2 personas.
No hacerlo puede provocar una lesión de espalda o de otro tipo.

RETIRE LOS MATERIALES DE EMPAQUE

IMPORTANTE: No retire ninguna etiqueta permanente de instrucciones o la etiqueta de datos de su máquina de hielo.

Retire la cinta y el adhesivo de su máquina de hielo antes de usarse.

- Para retirar cualquier cinta o adhesivo restantes, frote el área enérgicamente con el pulgar. Los residuos de cinta o adhesivos pueden también eliminarse fácilmente al frotar con los dedos una pequeña cantidad de líquido lavaplatos sobre el adhesivo. Limpie con agua tibia y seque.
- No use instrumentos cortantes, alcohol para frotar, fluidos inflamables o limpiadores abrasivos para eliminar cintas o adhesivos. Estos productos pueden dañar la superficie de su máquina de hielo.
- Deje en su lugar el panel inferior hasta que las patas ajustables hayan sido instaladas.

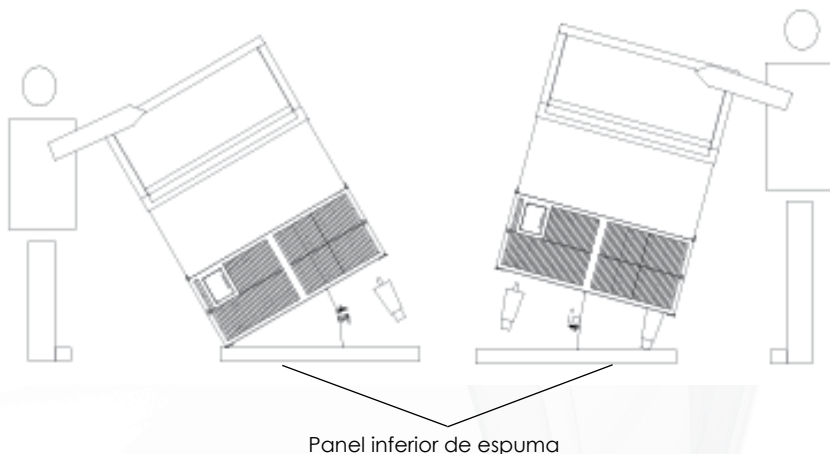
Limpieza previa al uso

Después de retirar cintas y adhesivo de la máquina, limpie el interior de su máquina de hielo antes de usarla. Consulte "Limpieza interior" en la sección de Limpieza y mantenimiento

Instalación de las patas ajustables

Se requieren al menos dos personas para instalar las patas ajustables.

Encontrará cuatro patas ajustables incluidas dentro del compartimiento de almacenamiento. Para instalarlas, incline un lado de la unidad y atornille dos patas ajustables de la forma que se ilustra. (**IMPORTANTE:** No incline la unidad más de 45°). Incline el otro lado y atornille las dos patas restantes.



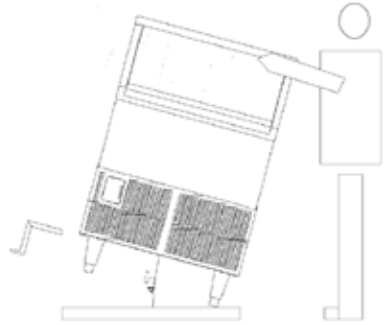


MAXX ICE

Instalación de la máquina de hielo

INSTALACIÓN DE LOS SOPORTES ESTABILIZADORES

Esta operación requiere al menos dos personas. Si desea que la máquina de hielo quede instalada de forma libre, en vez de encerrada, es necesario conectar los dos soportes estabilizadores metálicos que se encuentran al interior del compartimiento de almacenamiento del hielo. Inclinando la máquina hacia la derecha, pero sin exceder 45°, conecte un soporte al centro de la parte inferior de la máquina de hielo con dos tornillos (se incluyen). Consulte la siguiente ilustración. Coloque la parte posterior de la unidad sobre las cuatro patas, luego inclínela hacia adelante para atornillar el segundo soporte en la parte inferior de la unidad de forma opuesta al primero. Nivelado de la máquina de hielo Esta operación le brindará estabilidad para operación libre.



REQUISITOS DE LA UBICACIÓN

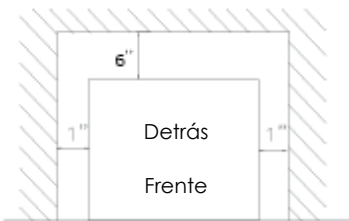
Esta máquina de hielo debe ser instalada por personal calificado.

NOTA:

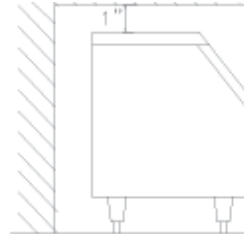
1. Antes de instalar la máquina de hielo dentro de un gabinete, conecte correctamente la tubería de suministro de agua. Desconecte la manguera del drenaje, insértela entre el drenaje y conecte el cable de alimentación eléctrica.
2. No pliegue ni pellizque el cable de alimentación eléctrica entre la máquina de hielo y la pared o el gabinete.

Espacio para la instalación

Vista superior



Vista lateral



- Para asegurar la ventilación adecuada para su máquina de hielo, la parte frontal de la unidad debe estar completamente despejada.
- Al instalar la máquina de hielo bajo una cubierta, respete las dimensiones de espacios recomendados enseguida. Permita al menos 6 pulg. (150 mm) de espacio libre en el fondo y 1 pulg (25 mm) en los costados y en la parte superior para permitir una circulación adecuada del aire. La instalación debe permitir que la máquina de hielo pueda ser jalada hacia adelante para darle servicio, en caso necesario.
- Seleccione un área bien ventilada con temperaturas mayores a 50°F (10°C) y menores a 100°F (38°C). Esta unidad DEBE ser instalada en un área protegida de los elementos como lluvia, rocío de agua o goteos.
- La unidad no debe ser ubicada junto a hornos, parillas u otras fuentes de calor intenso.
- La instalación de la máquina de hielo requiere una entrada de suministro de agua fría de 3/8 de pulg. (9.5 mm) de tubería flexible de cobre con una válvula de cierre.
- La máquina de hielo requiere un suministro continuo de agua con una presión mínima de 15 psig y una presión estática menor a 80 psig. La temperatura del agua de suministro para la máquina de hielo debe estar entre 41°F (5°C) y 90°F (32°C) para una operación adecuada.

Instalación de la máquina de hielo

⚠ WARNING

La temperatura ambiente de operación normal debe estar entre 50°F (10°C) y 100 °F (38°C). La temperatura del agua para la operación normal debe estar entre 41°F (5°C) y 90 °F (32°C). La operación de la máquina de hielo durante períodos prolongados fuera de estos rangos de temperatura puede afectar la capacidad de producción.

- **SE RECOMIENDA AMPLIAMENTE USAR UN FILTRO DE AGUA. UN FILTRO, SI ES DEL TIPO CORRECTO, PUEDE ELIMINAR SABORES Y OLORES ASÍ COMO PARTÍCULAS Y PUEDE EXTENDER LA VIDA ÚTIL DE LA MÁQUINA.**
- La máquina de hielo debe ser instalada con todas las conexiones eléctricas según los códigos estatales y locales.
- La unidad debe ser colocada sobre una superficie firme y nivelada. Es importante que la máquina de hielo se encuentre nivelada para funcionar correctamente. De ser necesario, puede ajustar la altura de la máquina de hielo haciendo girar las patas. Consulte la sección Nivelado de la máquina de hielo.

REQUISITOS ELÉCTRICOS

⚠ DANGER ⚠



Conecte a una toma de corriente de tres orificios con tierra física.

Nunca elimine la pata de tierra del enchufe.

Nunca use adaptadores.

No se use cordones de extensión.

No seguir estas instrucciones puede provocar incendios, descargas eléctricas o la muerte.

Antes de mover la máquina de hielo a su ubicación definitiva, es importante asegurarse de que cuenta con la instalación eléctrica adecuada. Se requiere alimentación eléctrica estándar (220-240 VCA, 50 Hz, 15 A), con conexión adecuada a tierra según el Código Eléctrico Nacional y los códigos y reglamentos locales. La máquina de hielo siempre deberá conectarse en su toma de corriente exclusiva. Se recomienda usar un circuito separado, exclusivo para la máquina de hielo. Use receptáculos que no puedan apagarse por medio de un interruptor o una cadena de jalarse. La capacidad del fusible (o del cortacircuitos) debe ser de 15 amperios.

Método de conexión a tierra recomendado

Por su seguridad personal, este aparato debe tener conexión a tierra física. Está equipada con un cable que tiene un enchufe con tres patas y tierra física. Para reducir los posibles riesgos de descargas eléctricas, el enchufe debe conectarse en un receptáculo de toma de corriente de pared compatible de 3 orificios, con tierra física según el Código Eléctrico Nacional y los códigos y reglamentos locales. De no encontrarse un receptáculo compatible, es responsabilidad personal del cliente hacer que un electricista calificado instale un receptáculo adecuado de tres orificios con tierra física.



MAXX ICE

Instalación de la máquina de hielo

NIVELADO DE LA MÁQUINA DE HIELO

Una vez que la máquina de cubos de hielo se encuentre colocada en su espacio confinado, si la base no está nivelada, puede ajustar las patas haciendo girar el bloque inferior (ver a continuación) hasta que la máquina esté nivelada.

Es importante que la máquina de hielo esté nivelada, o e lo contrario, el agua puede no fuir adecuadamente a través del evaporador (molde de hielo). La producción de hielo será menor a la normal y habrá ruidos durante la operación.

Ajuste la altura del bloque inferior de la pata ajustable, haciéndolo girar hacia la derecha (en contra de las manecillas del reloj) para reducir ese lado de la máquina de hielo. Si se hace girar el bloque inferior hacia la izquierda (en el sentido de las manecillas del reloj) levanta ese lado de la máquina de hielo.

Suministro de agua

El suministro del agua debe estar disponible en el sitio de la instalación. La presión del agua de suministro debe ser de 15 psig como mínimo con una presión estática no mayor a 80 psig. (Una toma en la pared directamente detrás de la máquina de hielo facilitará la instalación). Recomendamos ampliamente unas un filtro de agua. Un filtro, si es del tipo correcto, puede eliminar sabores y olores, así como partículas y puede extender la vida útil de la máquina.

IMPORTANTE:

1. Todas las instalaciones deben efectuarse según los requisitos de los códigos locales para instalaciones de plomería.
Se recomienda una instalación profesional.
2. Conexión de la entrada del agua: Conexión de tubo para drenaje de 3/8 pulg. FPT (tubo de rosca hembra): 1/2" FPT
3. Asegúrese de tener una manguera adecuada para el suministro de agua y dos mangueras adecuadas para el drenaje y que no sean pellizcadas, plegadas o dañadas durante la instalación.
4. Verifique que no haya fugas después de la instalación.

Herramientas necesarias: Llave de boca de 3/8", desarmador Phillips

Conexión de la línea del agua:

1. Cierre el suministro principal del agua.
2. Busque una línea de suministro de agua cerca de la ubicación de la instalación. La distancia no debe ser mayor a la longitud de la manguera del suministro de agua.
3. Debe instalarse una válvula de cierre al suministro principal del agua.
4. Conecte la manguera del suministro de agua a la llave y la válvula de entrada del agua. Apriete firmemente con la mano y después haga un medio giro con la llave.
5. Conecte una manguera para el drenaje del agua a la línea de conexión de la máquina de hielo. Apriete firmemente con la mano y después haga un medio giro con la llave.
6. Conecte otra manguera para el drenaje del agua a la línea de la conexión del recipiente de drenaje. Apriete firmemente con la mano y después haga un medio giro con la llave.
7. Abra el suministro principal el agua y la llave.. Verifique que no haya fugas en la conexión del suministro de agua. Apriete cada conexión (incluyendo la conexiones de la entrada del agua).

NOTA: Si se usa un filtro de agua, asegúrese de seguir las instrucciones del fabricante.



Bloque inferior

Al girar el bloque inferior en sentido contrario a las manecillas del reloj se reduce la altura de la máquina.

Al girar el bloque inferior en sentido de las manecillas del reloj aumenta la altura de la máquina.

Instalación de la máquina de hielo

TIPOS DE INSTALACIÓN

Esta máquina de cubos de hielo ha sido diseñada para funcionar en espacios cerrados (como debajo de un gabinete). También puede funcionar de forma libre (usando los soportes estabilizadores que se proporcionan) o de forma integrada (sellada al piso). En todo caso, debe existir un espacio adecuado para el aire alrededor de la unidad para fines de ventilación.

Instalación en espacios cerrados:

Una instalación en espacios cerrados le permitirá instalar la máquina de cubos de hielo bajo una cubierta o en un gabinete de cocina, siempre que se respete el espacio libre requerido alrededor de la máquina de hielo. Debe seguir las instrucciones establecidas en cuanto a:

- a. Requisitos eléctricos
- b. Suministro de agua

Instalación libre:

La máquina de cubos de hielo puede ser instalada de forma independiente en cualquier espacio que desee, siempre que se tenga acceso al suministro de agua. Esta instalación tiene los mismos requisitos que la instalación en espacios cerrados, pero además debe seguir las instrucciones para la instalación de los soportes estabilizadores.

Instalación integrada:

Si se elige este método de instalación, aún será necesario permitir un espacio adecuado para la ventilación alrededor de la unidad. Deben respetarse los siguientes elementos adicionales.

1. Coloque la máquina de cubos de hielo en frente de la ubicación de la instalación. Levante la máquina y colóquela en el piso o sobre una plataforma, dependiendo de los requisitos de su instalación.
2. La instalación de la plomería para la línea de suministro del agua debe hacerse antes de conectar la máquina de hielo.
3. Abra el suministro principal el agua y la llave. Verifique que no haya fugas en la conexión del suministro de agua. Apriete cada conexión (incluyendo la conexiones de la entrada del agua).
4. Si la toma de corriente para la máquina de hielo está detrás el gabinete, conecte la máquina de hielo.
5. Empuje la máquina de hielo hacia su posición.
6. Selle el perímetro del gabinete sobre el piso con un producto para sellado aprobado.

REEMPLAZO DEL FOCO

1. Reemplazo del foco superior Afloje los tornillo de la parte inferior de la cubierta superior, haga oscilar la cubierta superior hacia arriba hasta que esté sostenida por la parte superior del gabinete, ahora puede reemplazar el foco.
2. Reemplazo del foco de LED: Retire la cubierta, y entonces puede reemplazar el foco de LED.

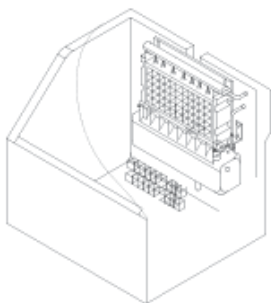
Operación

LISTA DE VERIFICACIÓN FINAL ANTES DE PONER EN FUNCIONAMIENTO

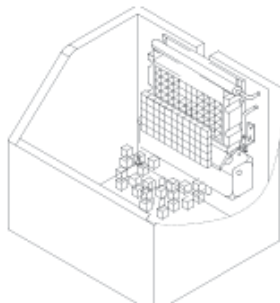
1. ¿Se han retirado todos los materiales de empaque y cintas del interior y el exterior de la máquina de hielo?
2. ¿Limpí el compartimiento de almacenamiento del hielo?
3. ¿Se han seguido las instrucciones de instalación, incluyendo la conexión de la máquina al agua y la electricidad?
4. ¿Se ha nivelado la máquina?
5. ¿Está la máquina de hielo en un sitio donde la temperatura ambiente es de entre 50° F (10° C) y 100° F (38° C) y la temperatura del agua es de entre 41° F (5° C) y 90° F (32° C) todo el año?
6. ¿Se ha verificado que el agua de suministro tenga una presión de 15 psig como mínimo con una presión estática no mayor a 80 psig?
7. ¿Hay un espacio de al menos 6" (150 mm) en la parte posterior, 1" (25 mm) en la parte superior y en los lados para permitir la circulación adecuada de aire?
8. ¿Se ha verificado el voltaje de la alimentación eléctrica o se ha probado contra el valor de la placa? ¿Se ha instalado una conexión de tierra física para la máquina de cubos de hielo?
9. ¿Está conectada la maquina de cubos de hielo?
10. ¿Ha abierto el suministro principal del agua y la llave?
11. ¿Ha verificado la presencia de fugas en todas las conexiones del suministro?

MÉTODO DE OPERACIÓN

1. Abra la llave del agua, permita que el agua entre al tanque, luego encienda el interruptor. Las luces indicadoras del interruptor se encienden, así como otras tres luces indicadoras del panel de control.
2. Tras aproximadamente 3 minutos, la máquina procederá automáticamente a la etapa de elaboración de hielo y se escuchará el sonido del agua fluyendo. Solo la luz roja del interruptor y el LED verde indicador de elaboración de hielo permanecerán encendidos.
3. Cuando el lote de hielo se haya formado totalmente, el hielo caerá automáticamente en el compartimiento de almacenamiento del hielo. El LED amarillo de Recolección de hielo y el LED del interruptor están encendidos, y los otros dos LEDs están apagados.
4. Cuando el compartimiento para el almacenamiento del hielo esté lleno, la capa de hielo no caerá totalmente y mantendrá abierta la sonda del compartimiento. La máquina está en el modo de compartimiento lleno y el LED rojo de compartimiento lleno se enciende. El LED del interruptor está encendido, y los otros dos LEDs están apagados.
5. La unidad vuelve a iniciar el proceso de elaboración de hielo automáticamente después de aproximadamente 3 minutos de retirar cubos de hielo. A medida que se retira hielo, la sonda de compartimiento lleno regresa a su posición de operación.



Etapa de elaboración de hielo



Etapa de recolección de hielo

IMPORTANTE:

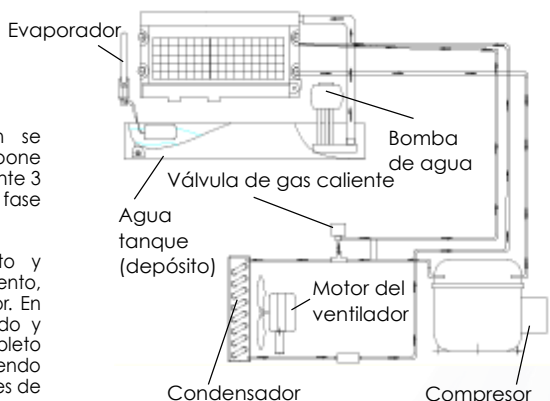
- Aunque la unidad se ha probado y limpiado en la fábrica, debido al tránsito y el almacenamiento prolongados, el primer lote de cubos debe desecharse.
- Nunca cierre el suministro de agua mientras que la máquina de hielo esté en funcionamiento.
- Nunca toque el evaporador cuando la máquina esté en funcionamiento.
- Excepto para retirar hielo de la unidad, mantenga la puerta cerrada para reducir el deshielo y para propiciar la formación correcta de hielo.

Operación

CÓMO LA MÁQUINA HACE EL HIELO

Cuando el interruptor de alimentación se enciende por primera vez, la máquina se pone en el modo de espera. Tras aproximadamente 3 minutos, procederá automáticamente a la fase de elaboración de hielo.

Hay dos ciclos diferentes: Congelamiento y recolección. Durante el ciclo de congelamiento, el agua fluye a la superficie del evaporador. En el ciclo de recolección, el hielo es liberado y entra agua a la máquina. Un ciclo completo puede llevar de 15 a 40 minutos, dependiendo de la temperatura ambiente y las condiciones de operación.



Congelamiento: Durante el ciclo de congelamiento, el compresor bombea refrigerante, el motor del ventilador sopla aire y la bomba del agua hace circular el agua. Cuando el lote de hielo se ha formado completamente, la máquina de hielo detiene el ciclo de congelamiento e inicia el ciclo de recolección.

Recolección: Durante el ciclo de recolección, el compresor sigue funcionando, se envía alimentación a la válvula de purgado del agua y a la válvula de gas caliente. La válvula de purga del agua se abre y permite que la bomba del agua purgue el agua restante en el tanque del agua, eliminando impurezas y sedimentos. Esto permite que la máquina produzca cubos de hielo transparentes y mantenga a un nivel mínimo la acumulación de minerales. Entonces, la bomba del agua se detiene. La válvula del gas caliente se abre, dirigiendo gas refrigerante caliente hacia el evaporador. El gas calienta el evaporador, haciendo que los cubos se deslicen como una unidad fuera del evaporador y hacia el compartimiento de almacenamiento. El ciclo de congelamiento volverá a iniciar cuando todos los cubos caigan en el compartimiento.

DE QUÉ FORMA UTILIZA EL AGUA LA MÁQUINA:

La máquina de cubos de hielo empieza con una carga fija de agua que está contenida en el tanque del agua. A medida que el agua fluye hacia la superficie de congelamiento del evaporador, el agua se congelará y se adherirá a los moldes de cubos de hielo. Durante el proceso de producción de hielo, el agua fresca entra al tanque del agua continuamente a medida que el agua del depósito se congela continuamente en el evaporador.

SONIDOS NORMALES

Su nueva máquina de cubos de hielo puede hacer sonidos que le resultarán extraños. La mayoría de los nuevos sonidos son normales. Las superficies sólidas como el piso y las paredes pueden amplificar los sonidos. A continuación se describen los tipos de sonidos que pueden resultarle nuevos y qué puede estarlos ocasionando.

- Los ruidos como traqueteos pueden venir del flujo del refrigerante o de la línea del agua. Los artículos almacenados en la parte superior de la máquina de cubos de hielo también pueden producir ruidos.
- El compresor de alta eficiencia puede hacer un sonido de pulsaciones o muy agudo.
- El agua corriente puede producir un sonido de salpicaduras.
- Puede escuchar aire siendo forzado sobre el condensador por el ventilador del condensador.
- Durante el ciclo de recolección, puede escuchar el sonido de cubos de hielo cayendo al compartimiento de almacenamiento del hielo.

PREPARACIÓN DE LA MÁQUINA DE HIELO PARA ALMACENAMIENTO PROLONGADO

Si la máquina de hielo no va a ser utilizada durante un largo tiempo, o si va a ser trasladada a otro sitio, será necesario drenar los sistemas de agua.

1. Cierre el suministro de agua en la alimentación principal del agua.
2. Desconecte la línea de suministro de agua de la entrada del agua.
3. Apague la alimentación eléctrica en el suministro principal de energía eléctrica.
4. Desatorille la tuerca del tanque del agua y drene totalmente el agua, luego vuelva a apretar la tuerca al terminar. Seque el tanque.
5. Retire el hielo del compartimiento para el almacenamiento de hielo. Seque el compartimiento.
6. Deje abierta la puerta para permitir la circulación del aire y evitar la formación de moho y hongos.
7. Deje desconectadas la línea de suministro de agua y el cable de alimentación eléctrica hasta que esté listo para usar de nuevo.

IMPORTANTE:

- No conecte ni desconecte el enchufe con las manos mojadas.
- Nunca jale el enchufe para desconectar la máquina de hielo.

Limpeza y mantenimiento

CAUTION

Si la máquina de hielo se deja de usar durante un largo tiempo, antes del siguiente uso debe ser lavada completamente. Siga cuidadosamente todas las instrucciones proporcionadas para la limpieza o el uso de solución desinfectante. No deje restos de la solución dentro de la máquina de hielo después de la limpieza.

La limpieza regular y el mantenimiento adecuado garantizarán la eficiencia, el desempeño superior y una larga vida útil. Los intervalos de mantenimiento listados se basan en condiciones normales. Quizá deba reducir los intervalos si tiene mascotas o si hay otras consideraciones especiales.

LO QUE NO DEBE HACERSE

Nunca coloque nada que no sean hielos en el compartimiento para el almacenamiento de hielo, los objetos como botellas de vino y cerveza no solo son anti higiénicos, sino que también las etiquetas pueden desprenderse y bloquear el drenaje.

QUÉ DEBE MANTENERSE LIMPIO

Hay cuatro cosas que deben mantenerse limpias:

1. El exterior
2. El interior
3. El tubo de distribución del agua
4. El sistema de limpieza de elaboración de hielo

⚠ WARNING

Antes de proceder con las operaciones de limpieza y mantenimiento, asegúrese de que la unidad esté desconectada de la alimentación de energía y que el suministro de agua esté cerrado. (EXCEPCIÓN: Limpieza del sistema de elaboración de hielo)

LIMPIEZA EXTERIOR

La puerta y el gabinete pueden limpiarse con una solución de detergente suave y agua tibia, como 1 oz (29 ml) de líquido lavatrastes mezclado con 2 galones (7.5 l) de agua tibia. No use fibra ni limpiadores a base de solventes. Use una esponja suave y enjuague con agua limpia. Limpie con un paño suave y limpio para evitar manchas causadas por el agua. Limpie el acero inoxidable con un paño humedecido con una solución de detergente suave y agua tibia. Nunca use agentes limpiadores abrasivos.

LIMPIEZA INTERIOR

El compartimiento para el almacenamiento de hielo debe ser desinfectado ocasionalmente. Limpie el tanque del agua antes de usar la máquina de cubos de hielo por primera vez y al volverse a utilizar después de haber dejado de usarla durante un período prolongado. Es generalmente conveniente desinfectar el depósito después de que el sistema de elaboración de hielo ha sido limpiado y cuando el compartimiento para el almacenamiento de hielo esté vacío.

1. Desconecte la alimentación eléctrica de la unidad.
2. Abra la puerta. Encontrará la tuerca del tanque del agua en el lado frontal derecho del tanque del agua. Desatornille la tuerca y drene el agua completamente entre el compartimiento de almacenamiento de hielo. El agua drena fuera de la máquina a través del orificio de drenado en el compartimiento.
NOTA: No olvide volver a atornillar la tuerca en su lugar.
3. Utilice una solución hecha de 1 onza de cloro doméstico y dos galones de agua tibia (95 a 115 °F/35-46° C) para limpiar el tanque del agua y el interior del compartimiento para el almacenamiento de hielo usando un paño limpio. Para limpiar las esquinas difíciles de alcanzar, aplique la solución desinfectante con una botella provista de un rociador.
4. Enjuague completamente con agua limpia. Esto completa la rutina de limpieza interior de la unidad.
5. Vuelva a conectar a la alimentación eléctrica.

El cucharón para el hielo debe lavarse regularmente. Lávelo como cualquier otro contenedor.

Limpeza y mantenimiento

WARNING

NO use agentes de limpieza a base de solventes o abrasivos en el interior. Estos limpiadores pueden transmitir sabores a los cubos de hielo o dañar o decolorar el interior.

LIMPIEZA DE LA MANGUERA DE DISTRIBUCIÓN DEL AGUA

Cuando vea que los cubos de hielo no están completamente formados o que la producción de cubos es lenta, el tubo para la distribución del agua puede estar bloqueada. Coloque el interruptor en la posición de Apagado. Desatornille los seis tornillos que sostienen el panel superior y retire el panel. Podrá ver el tubo para la distribución del agua. Haga girar el tubo de forma que los orificios vean hacia arriba. Usando un palillo o una herramienta similar, limpie los orificios, y a continuación gire el tubo de regreso a su posición original. Si el tubo está muy obstruido, límpielo de la siguiente forma:

1. Cierre el suministro del agua y apague la alimentación eléctrica.
2. Desconecte la manguera del agua del tubo de distribución.
3. Levante un lado y retire el tubo de distribución.
4. Con un cepillo, limpie el tubo usando una solución diluida de agua tibia y un detergente suave como un líquido lavatrastes. Después de retirar la suciedad y la pelusa de la superficie, enjuague el tubo con agua limpia.
5. Vuelva a colocar el tubo de distribución.
6. Vuelva a conectar el suministro de agua y la alimentación eléctrica.
7. Vuelva a instalar el panel superior.

LIMPIEZA DEL SISTEMA DE ELABORACIÓN DEL HIELO

Los minerales que se eliminan del agua durante el ciclo de congelamiento, tarde o temprano se acumularán para formar una placa dura de sarro en el sistema de agua. La limpieza regular del sistema ayuda a eliminar la acumulación de sarro mineral. La frecuencia de lavado del sistema depende de la dureza del agua o de la efectividad del filtro. Con agua dura de 15 a 20 granos por galón (4 a 5 granos por litro), puede ser necesario limpiar el sistema cada tres meses.

1. Coloque el interruptor en la posición de Apagado.
2. Retire todos los cubos de hielo del compartimiento de almacenamiento.
3. Mantenga la máquina de hielo conectada al suministro de agua. Vierta 8 oz. (137 ml) de solución limpiadora de fábricas de hielo sin níquel en el tanque del agua.
4. Coloque el interruptor en la posición de Encendido. Antes de 3 minutos, presione el botón LIMPIAR. La máquina efectuará el modo de Limpieza automática. El LED verde que indica elaboración de hielo y el LED amarillo que indica recolección de hielo destellarán.
5. El ciclo de limpieza continuará durante 30 minutos a menos que presione el interruptor (puede presionar el interruptor para detener el ciclo de limpieza en cualquier momento dentro del los 30 minutos). Después de la limpieza, el LED verde de elaboración de hielo y el amarillo de recolección dejarán de destellar y la máquina regresará al modo de espera.
6. El agua sucia debe ser drenada completamente. Ejecute los pasos 2 y 3 de la sección de Limpieza interior.
7. Repita los pasos 1 al 6 anteriores tres veces para enjuagar el sistema de elaboración de hielo completamente. NOTA: No agregue solución limpiadora de máquinas de hielo al agua durante los enjuagues.
8. Si desea hacer cubos de hielo después de la limpieza, apague el interruptor, drene el agua sucia y entonces vuelva a encender el interruptor. el siguiente ciclo de producción de hielo iniciará.
9. Deseche el primer lote de hielo.

Limpieza y mantenimiento

Desinfección del sistema de elaboración del hielo

1. Coloque el interruptor en la posición de Apagado.
2. Retire todos los cubos de hielo del compartimiento de almacenamiento.
3. Prepare una solución desinfectante mezclando 1 onza de cloro doméstico con 1 galón de agua tibia.
4. Mantenga la máquina de hielo conectada al suministro de agua. Llene el tanque del agua con la solución desinfectante.
5. Coloque el interruptor en la posición de Encendido. Antes de 3 minutos, presione el botón LIMPIAR. La máquina efectuará el modo de Limpieza automática. El LED amarillo que indica recolección de hielo y el rojo que indica compartimiento lleno destellarán.
6. El ciclo de limpieza continuará durante 30 minutos a menos que presione el interruptor (puede presionar el interruptor para detener el ciclo de limpieza en cualquier momento dentro de los 30 minutos). Después de la limpieza, el LED verde de elaboración de hielo y el amarillo de recolección dejarán de destellar y la máquina regresará al modo de espera.
7. El agua sucia debe ser drenada completamente. Ejecute los pasos 2 y 3 de la sección de Limpieza interior.
8. Repita los pasos 4 al 7 anteriores tres veces con agua limpia para enjuagar el sistema de elaboración de hielo completamente.
NOTA: No agregue ninguna solución limpiadora al agua durante los enjuagues.
9. Si desea hacer cubos de hielo después de la limpieza, apague el interruptor, drene el agua sucia y entonces vuelva a encender el interruptor. El siguiente ciclo de producción de hielo iniciará.
10. Deseche el primer lote de hielo.

WARNING

El limpiador para la máquina de hielo contiene ácidos.

NO use o mezcle con otros productos de limpieza a base de solventes.

Use guantes de látex para protegerse las manos. Lea atentamente las instrucciones de seguridad material en el contenedor del limpiador de la máquina de hielo.

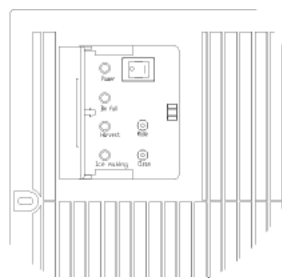
DESECHE el primer lote de hielo producido después de la limpieza.

Panel de control (ubicado en el lado izquierdo frontal inferior de la rejilla del panel)

Presione la cubierta del panel de control para abrirla. el panel de control incluye un interruptor de energía, dos botones y cuatro luces indicadoras.

OPERACIÓN DEL PANEL DE CONTROL:

1. Cuando la unidad está encendida y el interruptor está en la posición de encendido, la luz indicadora de encendido y las otras tres luces indicadoras se encienden.
2. Después de 3 minutos para la entrada de agua, la máquina de hielo empezará a hacer hielo automáticamente. Solo los indicadores de encendido y de elaboración de hielo estarán encendidos.
3. Durante la recolección, la luz de recolección se enciende y el ir apaga. Cuando el compartimiento para el almacenamiento de hielo se llena, solo estarán encendidos los indicadores de lleno y de encendido.
4. Si se presiona el botón de limpieza durante el modo de elaboración de hielo, este será ignorado. La elaboración de hielo continuará.
5. Cuando desee limpiar la máquina, apague primero el interruptor, y después vuélvalo a encender. Presione el botón de limpieza 3 durante 3 minutos y la máquina de hielo empezará el modo de limpieza, con los indicadores de recolección y de elaboración de hielo destellando. Después de 30 minutos, el modo de limpieza se detiene y los indicadores de recolección y de elaboración de hielo dejan de destellar y quedan fijos. Si desea volver a iniciar el proceso de elaboración de hielo después de la limpieza, apague el interruptor primero y drene el agua sucia, a continuación, encienda el interruptor de nuevo y la máquina entrará al modo de elaboración de hielo automáticamente.
6. Si desea interrumpir el modo de limpieza antes de que termine, no presione de nuevo el botón de limpieza. En lugar de ello, apague el interruptor. Esto detiene el modo de limpieza.



Panel de control (ubicado en el lado izquierdo frontal inferior de la rejilla del panel)

- Si la máquina está encendida, pero solo la luz de encendido está iluminada, esto puede indicar que no hay suficiente agua llegando al sistema, que la bomba del agua no está funcionando o algún problema similar. Primero verifique el nivel en el tanque del agua, luego examine la bomba del agua, etc.
- Si la unidad está conectada a la alimentación eléctrica, pero no se encienden luces indicadoras cuando se enciende el interruptor, podría ser que el fusible de la caja del panel de control necesita reemplazarse.

DESCRIPCIONES DE LOS LED Y LOS BOTONES:

- LED de compartimiento lleno (rojo)** Luz indicadora de compartimiento lleno
Cuando este LED se enciende, el compartimiento de almacenamiento está lleno de cubos de hielo o existe algo que obstruye la sonda del compartimiento. La unidad dejará de funcionar. Cuando se retiran cubos de hielo del compartimiento, despejando la sonda, el LED rojo destellará durante 3 minutos. entonces, la unidad se reiniciará y regresará al modo de elaboración de hielo.
- LED de elaboración de hielo (verde)** Luz indicadora de elaboración de hielo
Cuando este LED está encendido, la unidad está trabajando en el modo de elaboración de hielo. Cuando el LED verde está destellando, la unidad está trabajando en el modo de elaboración de hielo, pero llegando al modo de recolección de hielo.
- LED de recolección de hielo (amarillo)** Luz indicadora de recolección de hielo
Cuando este LED está encendido, la unidad está trabajando en el modo de recolección de hielo, controlada por la sonda de compartimiento lleno.
- LED DE ENCENDIDO (BLANCO)** Luz indicadora de encendido de la caja de control. Este LED se encenderá únicamente cuando el interruptor principal se encienda.
- Botón de MODO:** Este botón es principalmente para servicio. Cuando se presiona, el modo de elaboración de hielo cambia al modo de recolección de hielo y viceversa. El modo se indica por el estado de los LED verde y amarillo.
- Botón de LIMPIEZA**
Si presiona el botón de limpieza o el interruptor de limpieza en menos de tres minutos después de haber encendido la máquina de hielo, esta entrará en modo de limpieza. Si se presiona el botón de limpieza y se mantiene presionado más de seis segundos, la máquina entra al modo de drenado. Los LED rojo y amarillo destellarán a la vez.

GUÍA PARA EL AJUSTE DEL TAMAÑO DEL HIELO:

- Presione y mantenga sostenido el botón de "Limpieza" y el botón de "Modo" juntos durante al menos 3 segundos. La unidad entrará en el modo de Ajuste del tamaño del hielo. El LED de "HIELO" (verde) destellará continuamente durante el ajuste del tamaño del hielo.
- Mientras esté en el modo de Ajuste del tamaño del hielo, presione el botón de "Limpieza" o el botón de "Modo" para el tamaño deseado del hielo.

CONFIGURACIÓN DE TAMAÑO MÁS PEQUEÑO:

Al presionar el botón de "Limpieza", puede reducir el tamaño de los cubos de hielo. El LED de "LLENO" (rojo) destellará a medida que reduzca el tamaño del hielo y finalmente estará destellando al llegar al tamaño más pequeño de hielo.

CONFIGURACIÓN DE TAMAÑO MÁS GRANDE:

Al presionar el botón de "Modo" puede aumentar el tamaño de los cubos de hielo. El LED "RECOLECCIÓN" (amarillo) destellará a medida que configure el tamaño más grande y destellará cuando se alcance el tamaño más grande de hielo.

Después de 10 segundos sin ninguna operación, la unidad memorizará automáticamente el estado actual y regresará al modo anterior.

NOTA:

- Si durante el modo de ajuste del tamaño del hielo, los LEDs de "COMPARTIMIENTO LLENO", "ELABORACIÓN DE HIELO" y "RECOLECCIÓN" destellan todas a la vez, esto indica que la unidad está en el tamaño regular (medio) del tamaño del hielo.
- Cuando la máquina está en la etapa de limpieza o de lleno, no es posible acceder al ajuste del tamaño del hielo.

IMPORTANTE:

- Evite que el agua entre en contacto con la caja de control.

Resolución de Problemas

ANTES DE LLAMAR PARA SOLICITAR SERVICIO

Si la unidad parece estar funcionando incorrectamente, lea la sección de OPERACIÓN de este manual primero. Si el problema persiste, consulte la guía para resolución de problemas en la página siguiente. El problema puede ser algo muy sencillo que puede resolverse sin una llamada de servicio.



Guía para la resolución de problemas

PROBLEMA	CAUSA POSIBLE	CORRECCIÓN POSIBLE
La máquina no funciona	La máquina de hielo está desconectada.	Conecte la máquina de hielo.
	El fusible se ha fundido.	Reemplace el fusible, si esto sucede, llame a servicio para verificar si existe un corto circuito en la máquina de hielo.
	El interruptor de la máquina está APAGADO.	Coloque el interruptor de la máquina de hielo en la posición de ENCENDIDO.
	El compartimiento para el almacenamiento del hielo está lleno.	Retire un poco del hielo, libere hielo del sensor detector de lleno.
El agua no entra después de que la máquina se enciende.	La llave del agua está cerrada.	Abra el suministro del agua y la llave.
	El tubo del suministro de agua no está conectado correctamente.	Reconecte el tubo de suministro de agua.
La máquina hace hielo, pero el compartimiento no se llena.	El condensador puede estar sucio.	Limpie el condensador.
	El flujo de aire hacia la máquina de hielo puede estar obstruido.	Verifique la instalación.
	La temperatura ambiente y la temperatura del agua son elevadas, o la máquina está cerca de alguna fuente de calor.	Verifique la instalación.
Gotea agua fuera de la unidad.	Un poco de agua gotea cuando sobre la puerta para retirar hielo del compartimiento.	La condensación normal de la puerta o un poco de agua mezclada con hielo. Tenga cuidado cuando retire hielo.
	La conexión del suministro de agua tiene fugas.	Ajuste la conexión. Consulte Conexión de la línea del agua.
Los cubos de forman parcialmente y están blancos del fondo.	No hay agua suficiente en el depósito de agua.	Verifique que la presión del suministro de agua sea menor a 15 psig.
		Verifique el suministro de agua, el filtro puede estar obstruido.
		Verifique si hay fugas de agua en el tanque del agua.
Ruido durante el funcionamiento.	Las patas no están niveladas.	Consulte Nivelado de la máquina de hielo.
	Ciertos sonidos son normales.	Consulte Sonidos normales
La máquina de hielo se detiene repentinamente al elaborar hielo.	Hubo un apagón.	Reconecte la línea de alimentación eléctrica.
	La temperatura ambiente está fuera del rango adecuado.	Corte la electricidad y permita que la máquina de hielo se detenga hasta que la temperatura regrese al rango adecuado.
El cuerpo de la máquina de hielo está electrizado.	La línea de tierra no está conectada.	Use una toma de corriente que cumpla con la norma.
Se forma sarro frecuentemente dentro de la máquina.	La dureza de la calidad del agua es demasiado alta.	Use un aparato suavizador de agua en frente de la entrada de agua.
Los cubos de hielo no se forman completamente cuando son arrojados.	el rociador está obstruido.	Limpie el rociador, consulte "limpieza interior".



 **MAXX ICE**

3355 Enterprise Ave., Suite 160 - Ft. Lauderdale, FL 33331

T: (954) 832-3724 - F: (954) 202-7337

www.maxxfoodservice.com